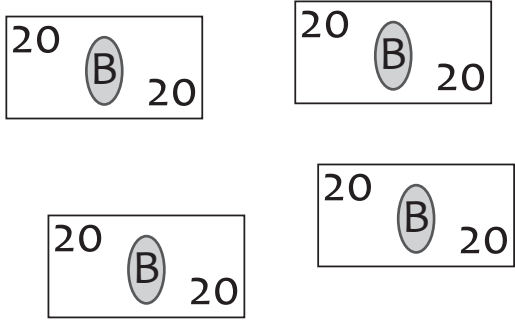


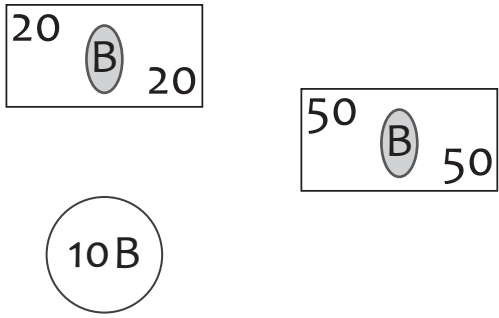
# How much money?

How much money is shown in each set? Write your answer in Baht.



20 B 20      20 B 20  
20 B 20      20 B 20

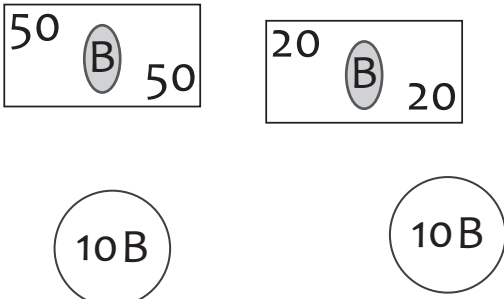
\_\_\_\_\_ Baht



20 B 20      50 B 50

10B

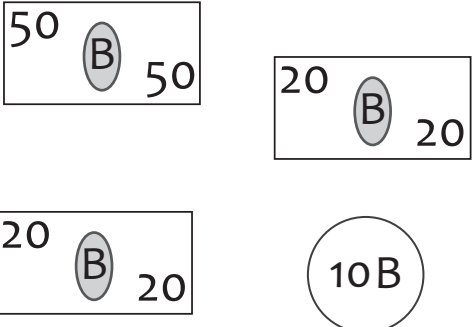
\_\_\_\_\_



50 B 50      20 B 20

10B      10B

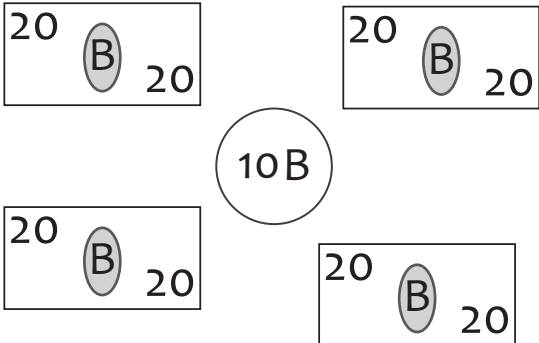
\_\_\_\_\_



50 B 50      20 B 20

20 B 20      10B

\_\_\_\_\_

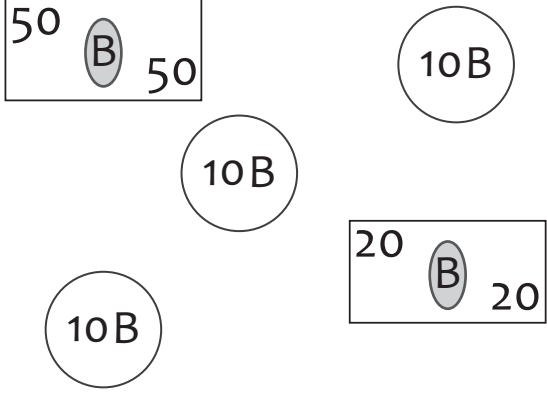


20 B 20      20 B 20

10B

20 B 20      20 B 20

\_\_\_\_\_



50 B 50      10B

10B

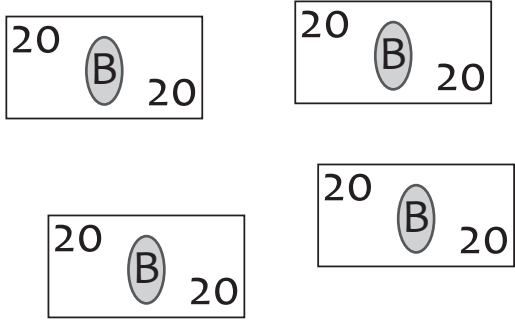
10B

10B      20 B 20

\_\_\_\_\_

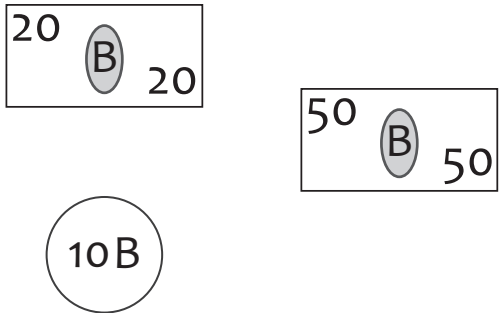
# How much money?

How much money is shown in each set? Write your answer in Baht.



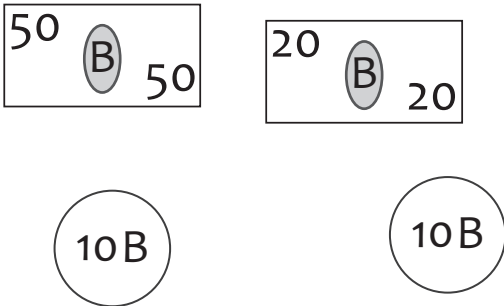
20 B 20      20 B 20  
20 B 20      20 B 20

80 Baht



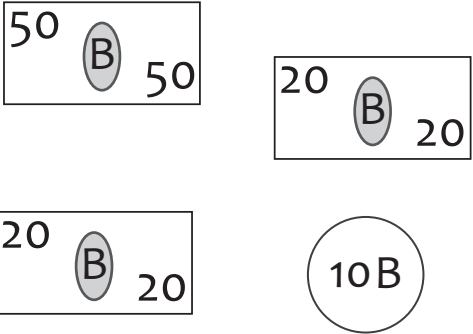
20 B 20      50 B 50  
10B

80 Baht



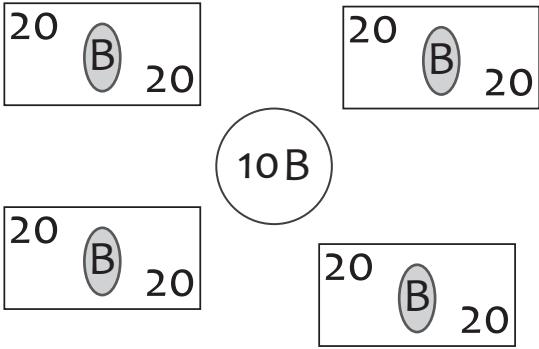
50 B 50      20 B 20  
10B      10B

90 Baht



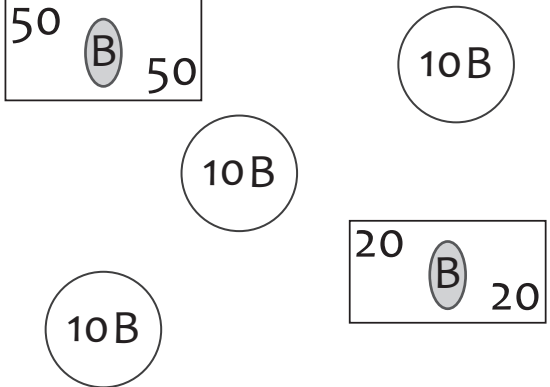
50 B 50      20 B 20  
20 B 20      10B

100 Baht



20 B 20      20 B 20  
10B  
20 B 20      20 B 20

90 Baht



50 B 50      10B  
10B  
10B      20 B 20

100 Baht