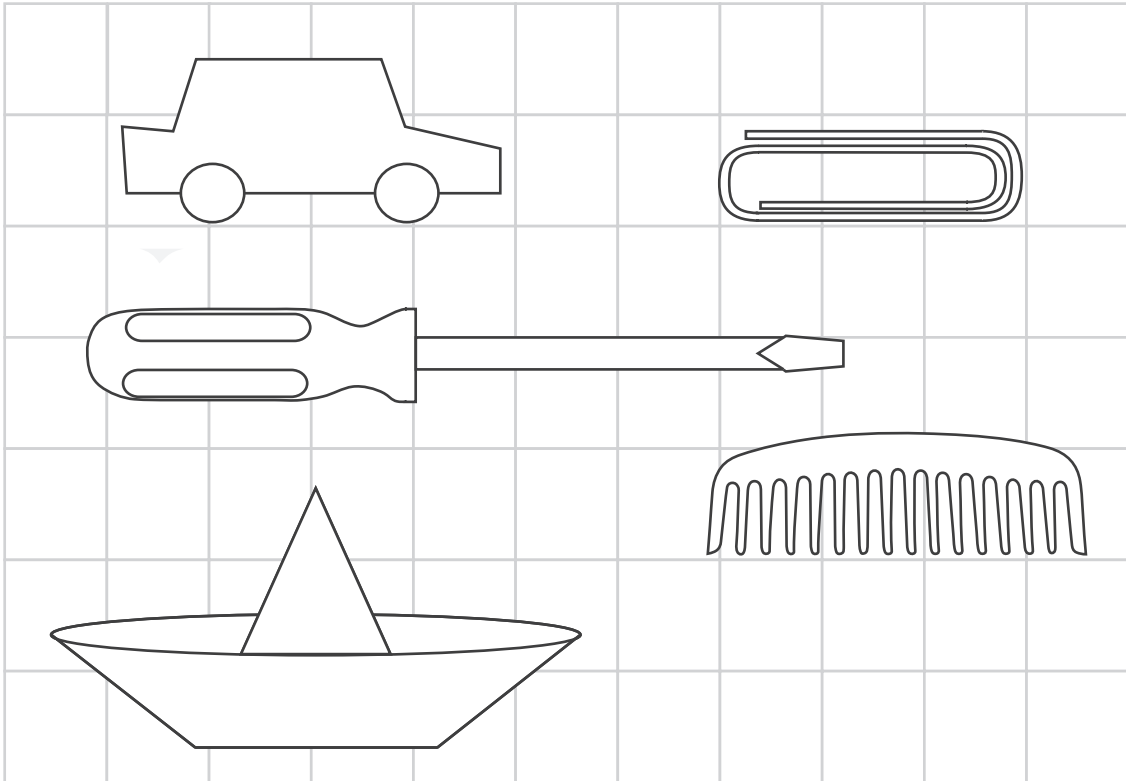


True or false

Measure the length in cm and write true (T) or false (F).



The boat is 7 cm long.   T  

The screwdriver is 9 cm long.           

The car is the shortest.           

The screwdriver is 6 cm longer than the paperclip.           

The comb is 1 cm shorter than the car.           

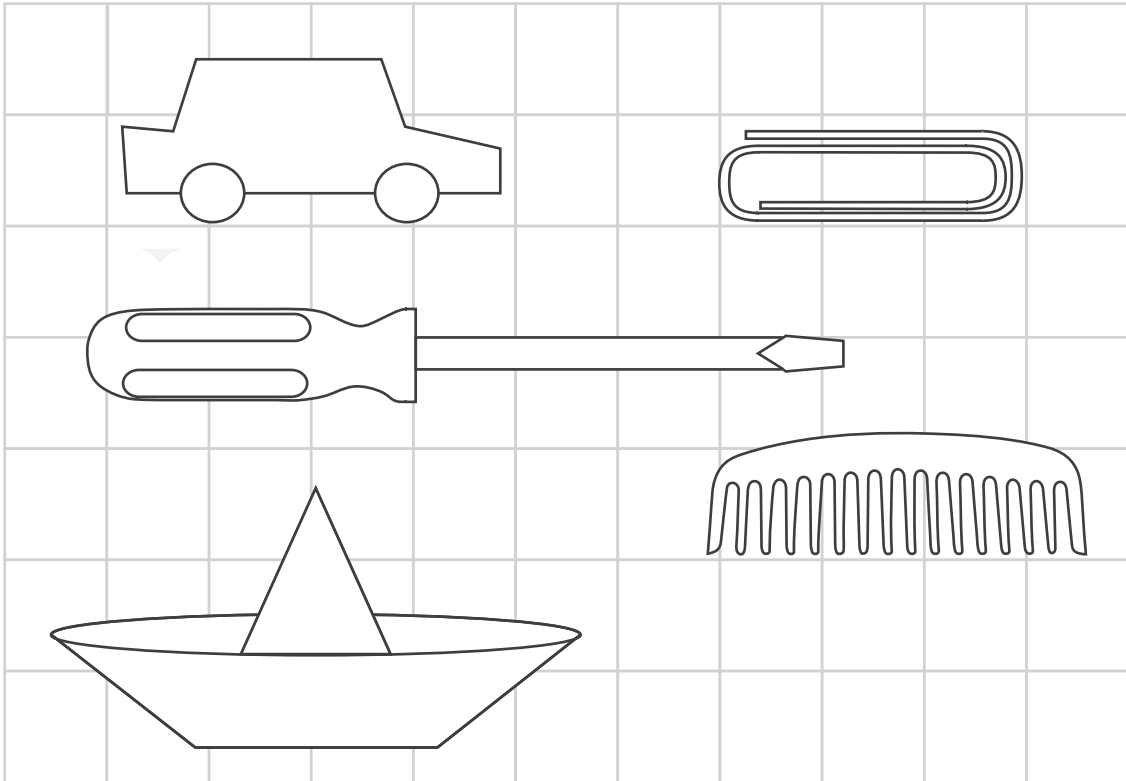
The car is longer than the boat.           

The length of the boat and the car is 12 cm in total.           

The total length of all 5 objects is 31 cm.

True or false

Measure the length in cm and write true (T) or false (F).



The boat is 7 cm long.   T  

The screwdriver is 9 cm long.   F  

The car is the shortest.   F  

The screwdriver is 6 cm longer than the paperclip.   T  

The comb is 1 cm shorter than the car.   F  

The car is longer than the boat.   F  

The length of the boat and the car is 12 cm in total.   T  

The total length of all 5 objects is 31 cm.   T