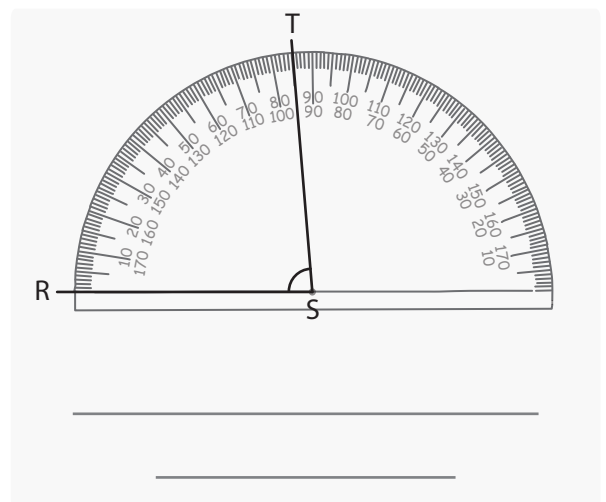
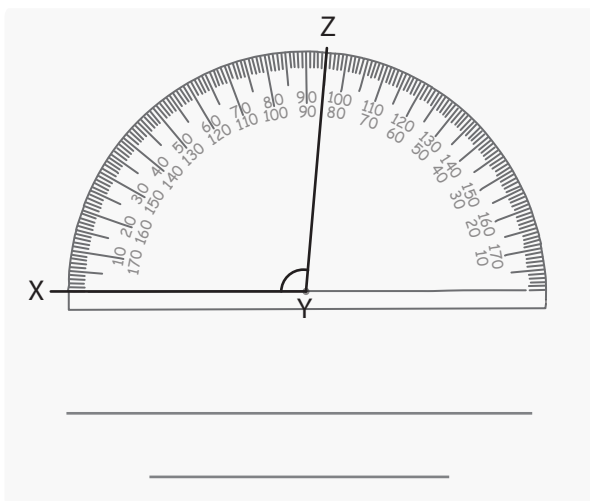
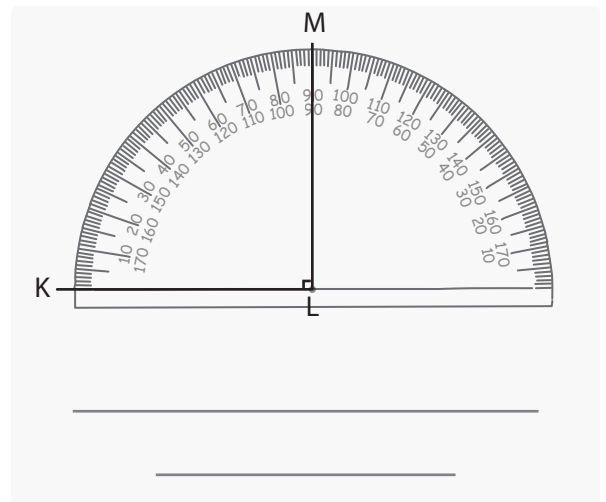
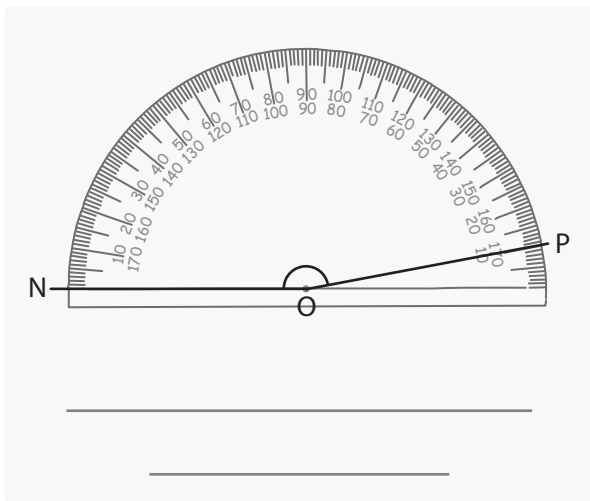
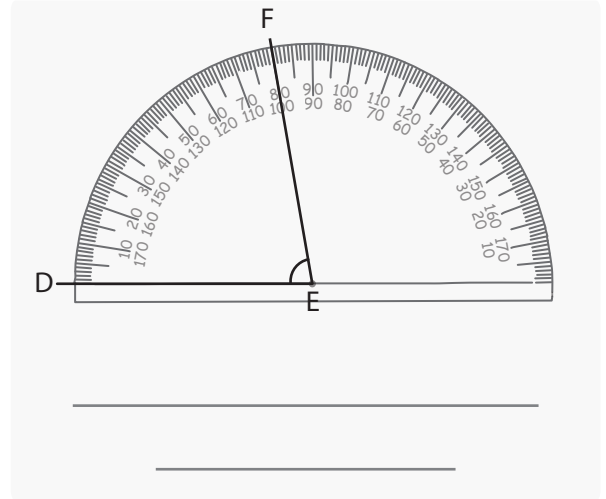
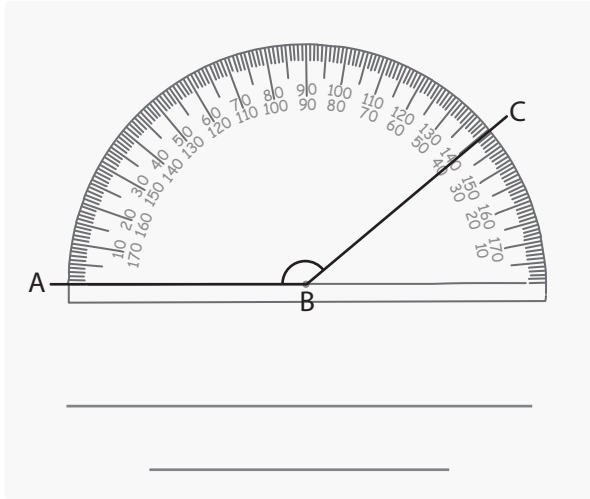


# Inner Outer Scale

Name: \_\_\_\_\_ Class: \_\_\_\_\_

Do you need to use the inner or outer scale to measure these angles?  
What is the size of each angle?



# Answers

Do you need to use the inner or outer scale to measure these angles?  
What is the size of each angle?

