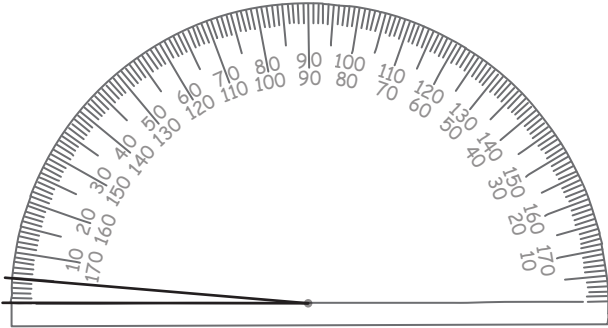


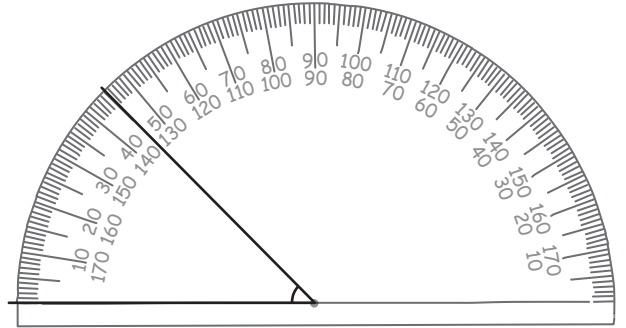
# Measure the Acute Angle

Name: \_\_\_\_\_ Class: \_\_\_\_\_

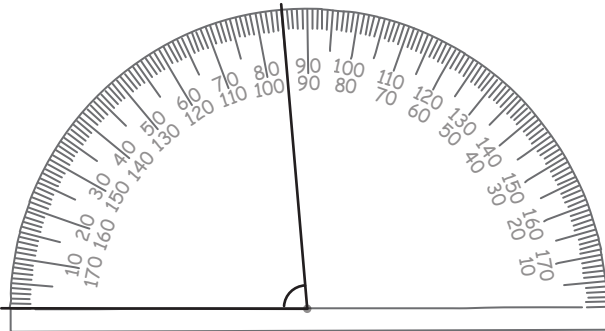
Measure the size of each acute angle.



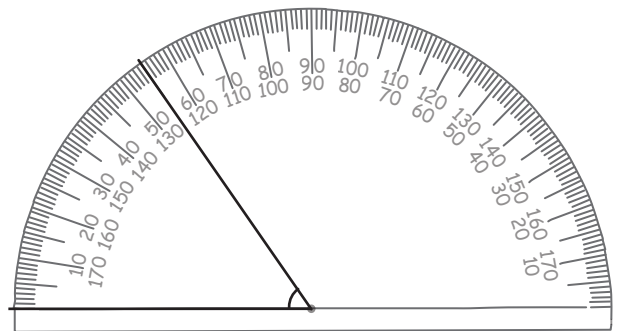
 \_\_\_\_\_



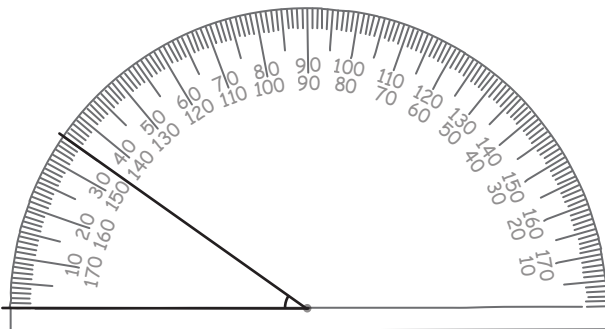
 \_\_\_\_\_



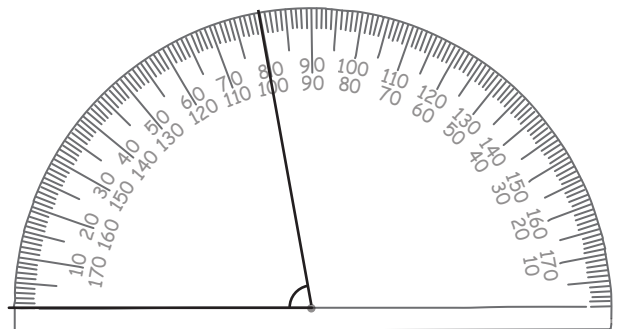
 \_\_\_\_\_



 \_\_\_\_\_



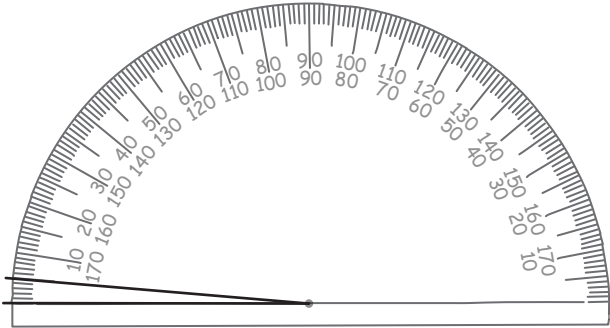
 \_\_\_\_\_



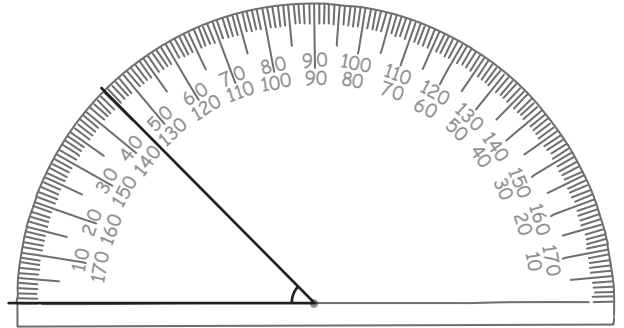
 \_\_\_\_\_

# Answers

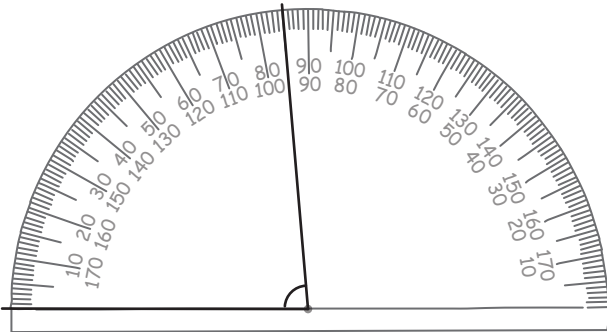
Measure the size of each acute angle.



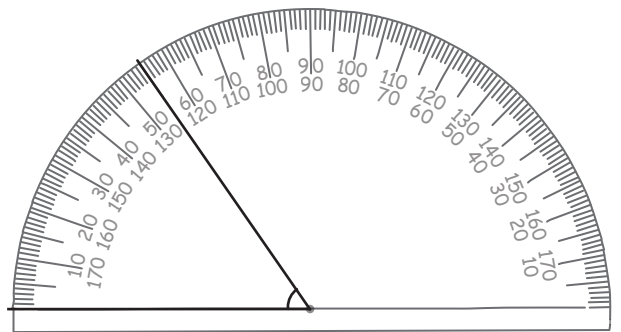
$\angle 5^\circ$



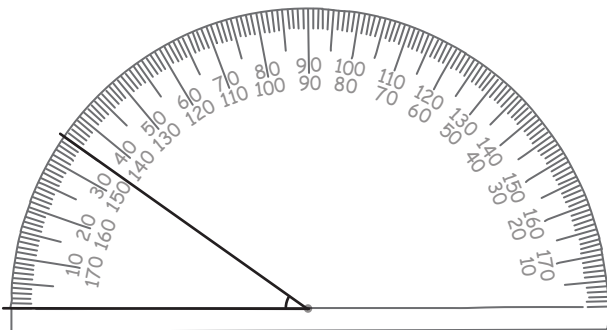
$\angle 45^\circ$



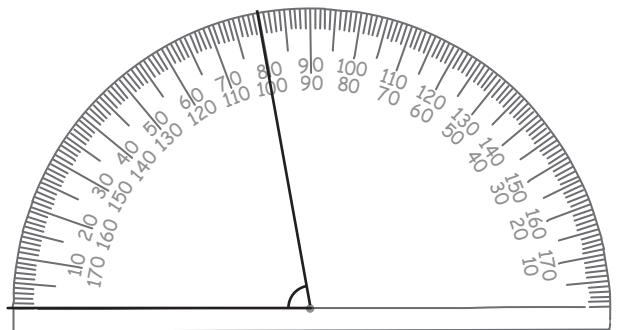
$\angle 85^\circ$



$\angle 55^\circ$



$\angle 35^\circ$



$\angle 80^\circ$