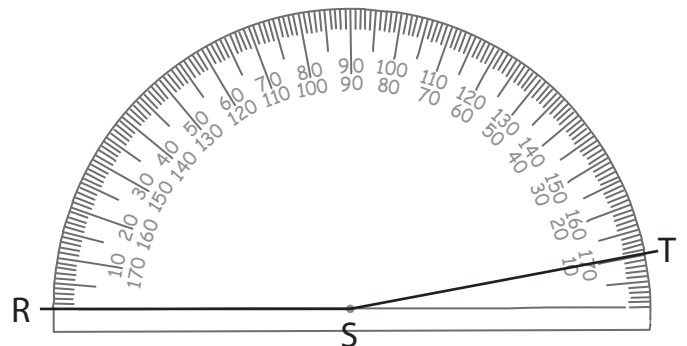
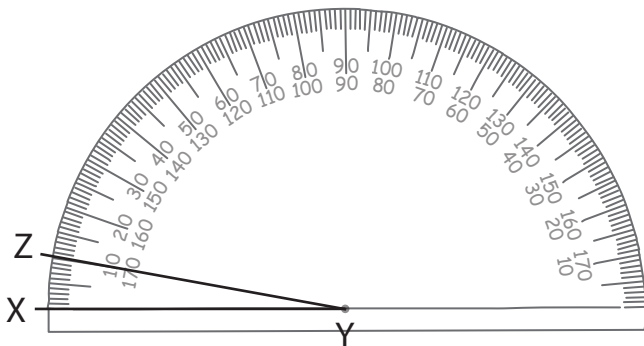
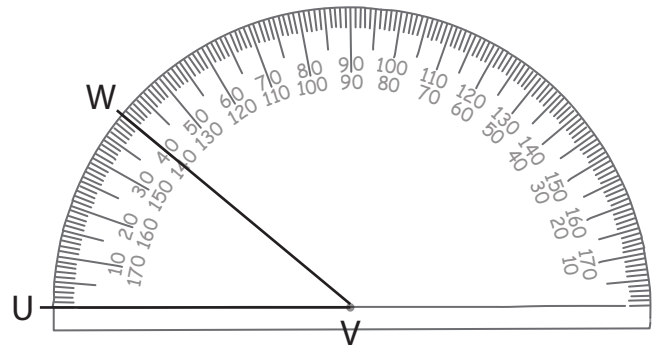
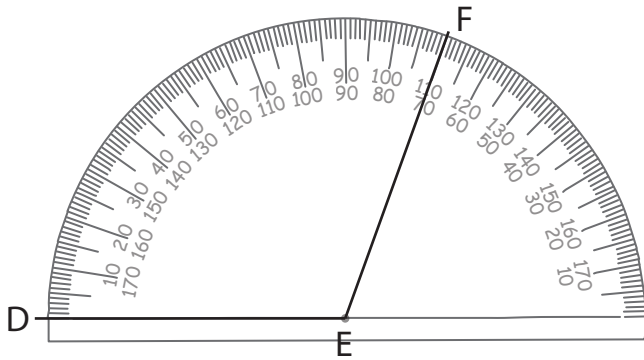
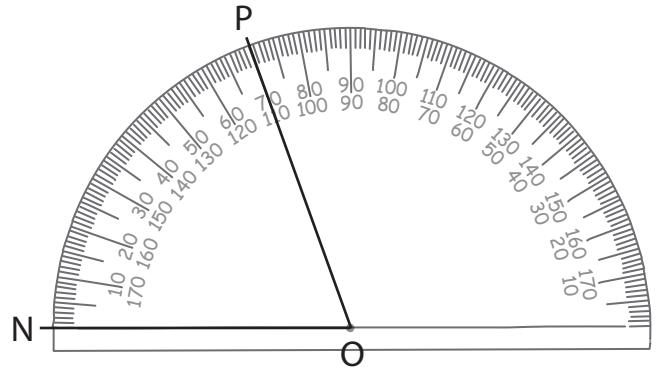
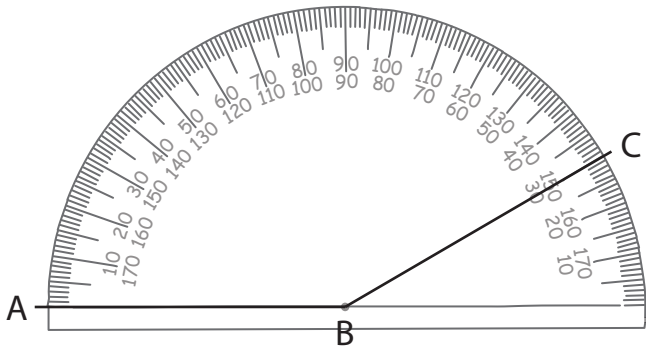


Measure the Angle Size

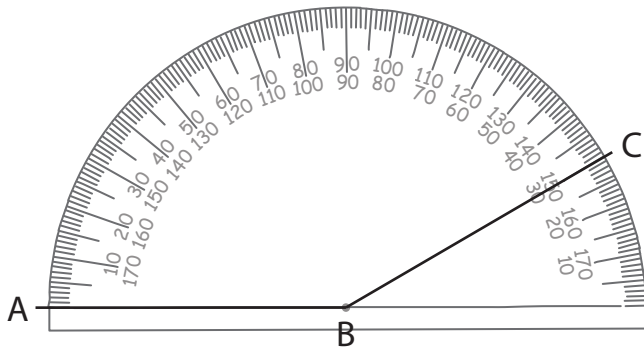
Name: _____ Class: _____

Measure the size of each angle.

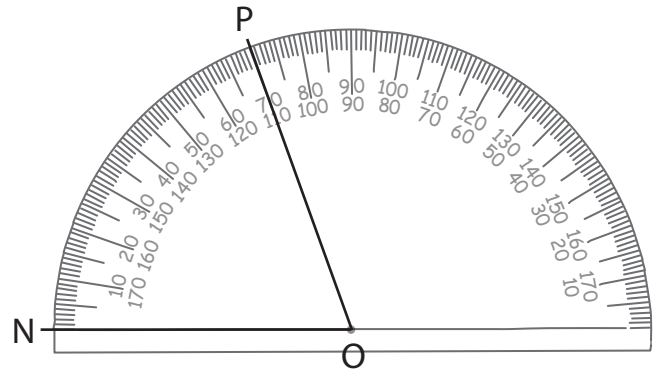


Answers

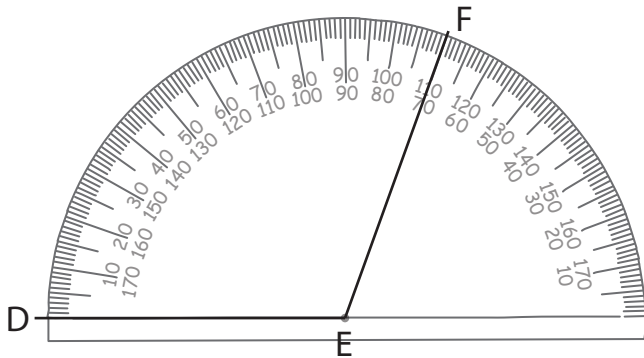
Measure the size of each angle.



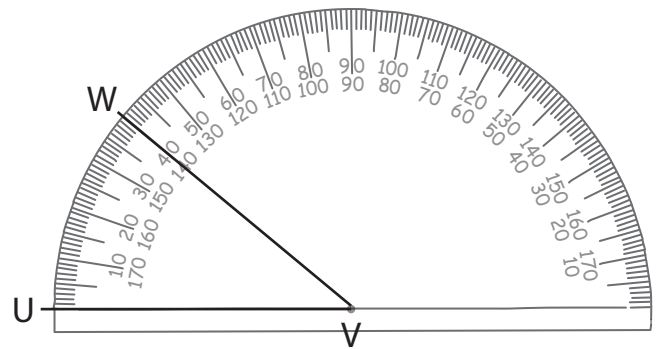
$\angle 140^\circ$



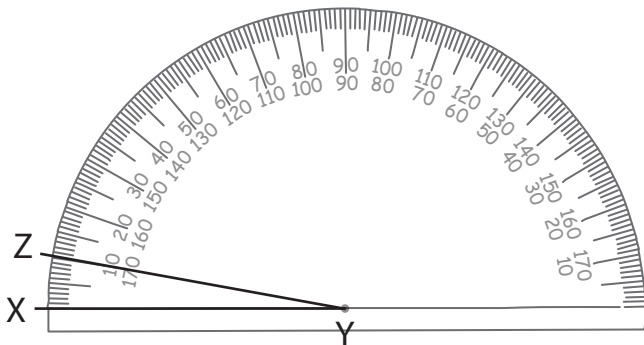
$\angle 70^\circ$



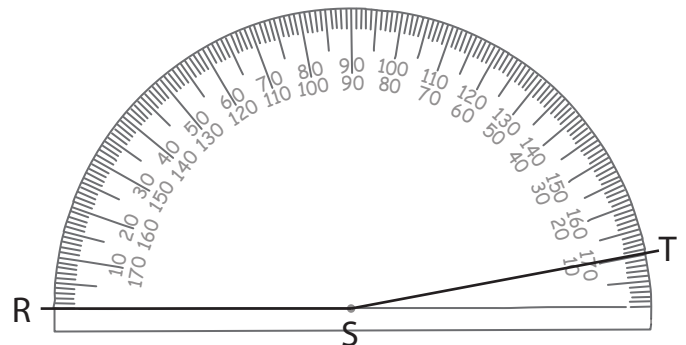
$\angle 110^\circ$



$\angle 40^\circ$



$\angle 10^\circ$



$\angle 170^\circ$