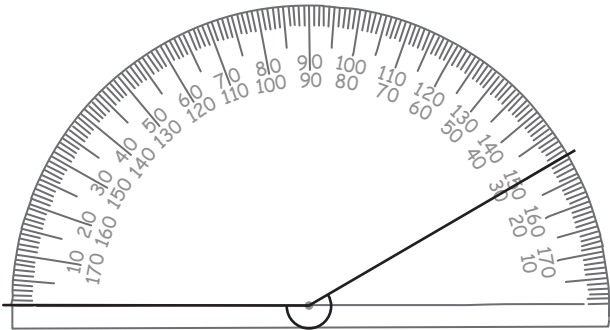


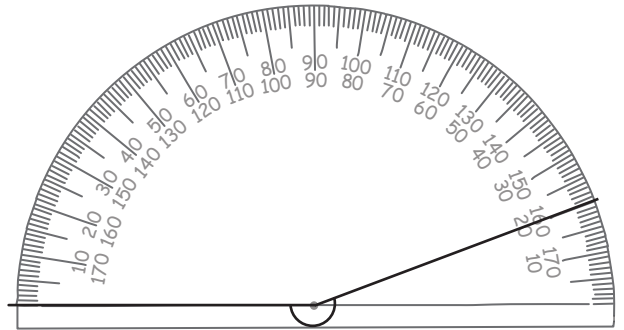


# Answers

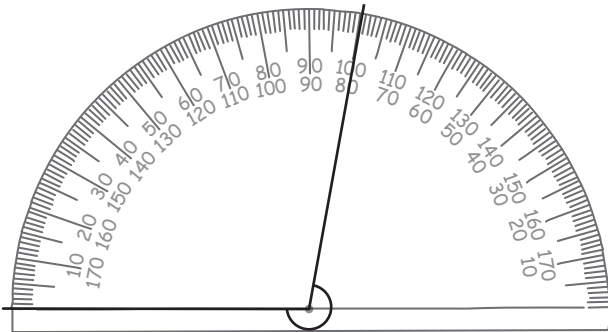
Measure the size of each reflex angle.



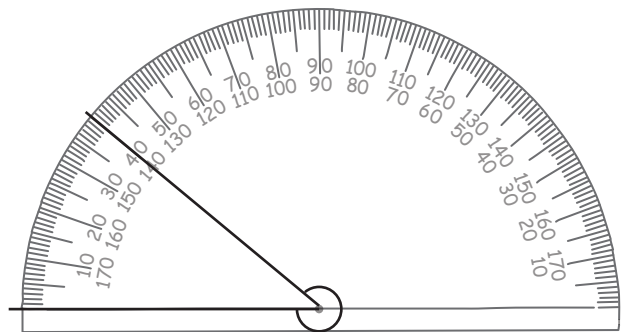
$\angle 210^\circ$



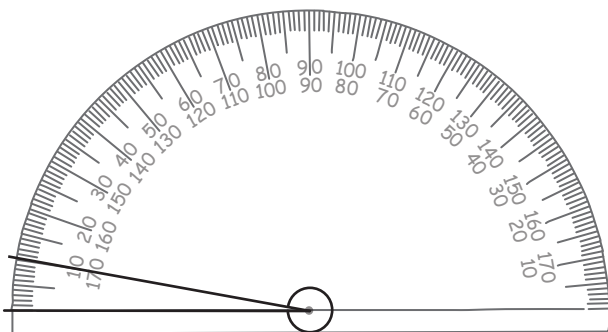
$\angle 200^\circ$



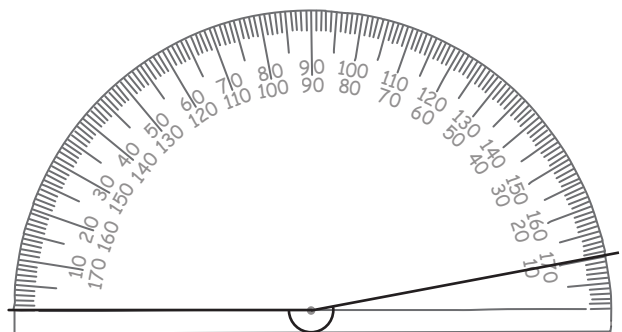
$\angle 260^\circ$



$\angle 320^\circ$



$\angle 350^\circ$



$\angle 190^\circ$