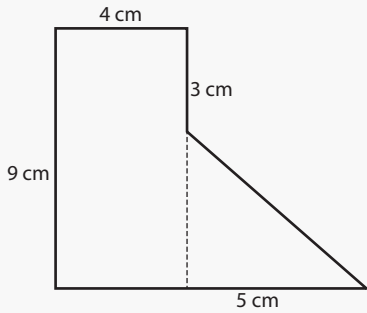


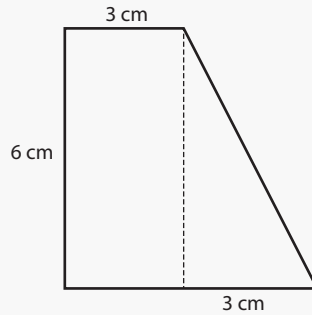
Area of Compound Shapes

Name: _____ Class: _____

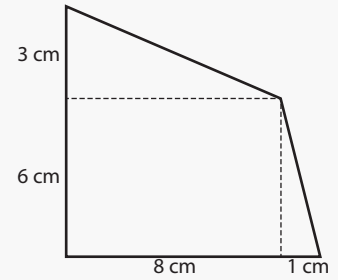
Find the area of the following compound shapes (not drawn to scale).
The dashed lines are perpendicular.



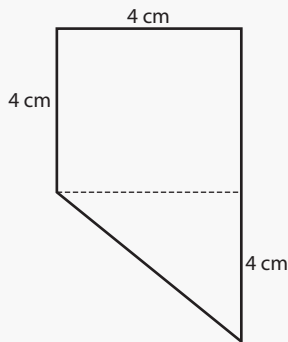
Area: _____



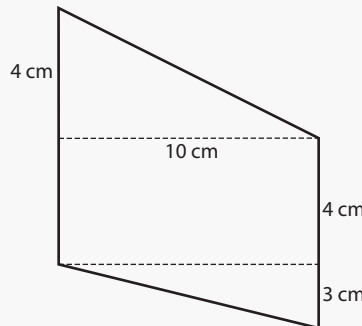
Area: _____



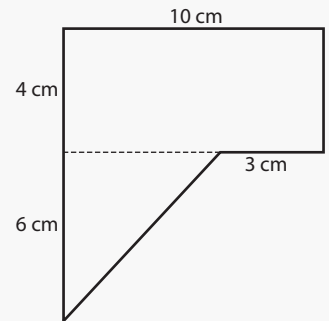
Area: _____



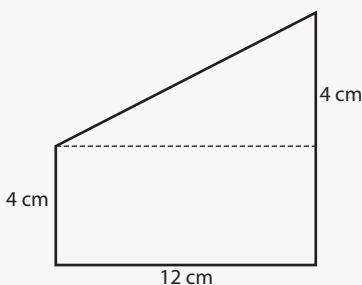
Area: _____



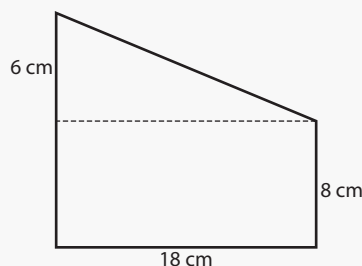
Area: _____



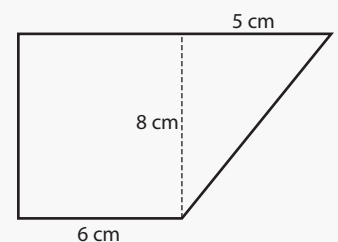
Area: _____



Area: _____



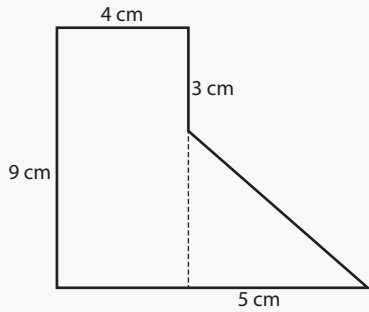
Area: _____



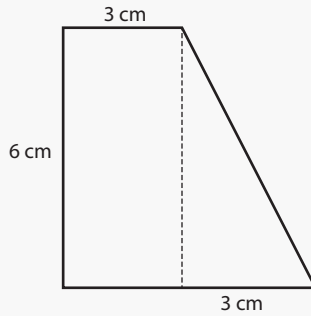
Area: _____

Answers

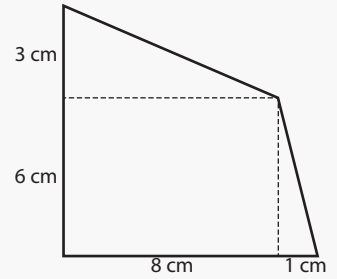
Find the area of the following compound shapes (not drawn to scale).
The dashed lines are perpendicular.



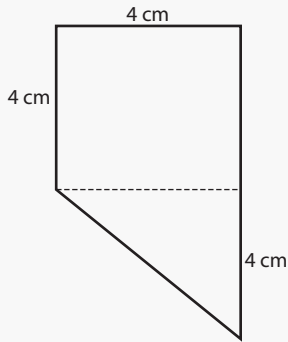
Area: 51 cm²



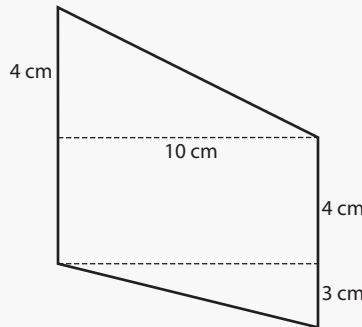
Area: 27 cm²



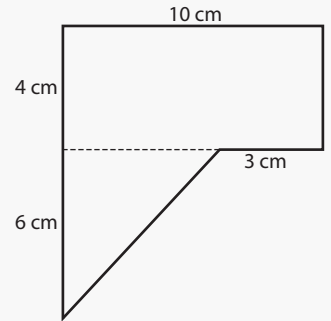
Area: 63 cm²



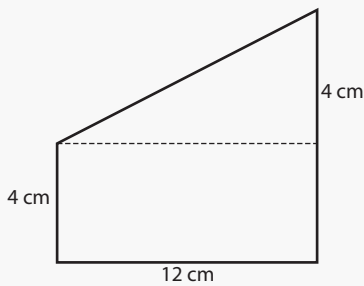
Area: 24 cm²



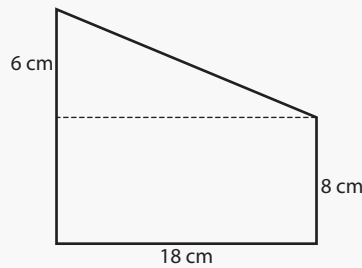
Area: 75 cm²



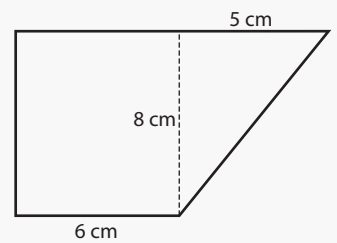
Area: 61 cm²



Area: 72 cm²



Area: 198 cm²



Area: 68 cm²