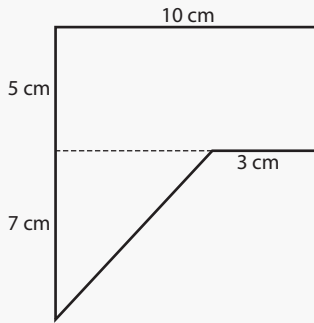


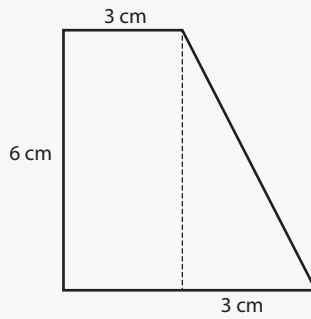
Area of Compound Shapes

Name: _____ Class: _____

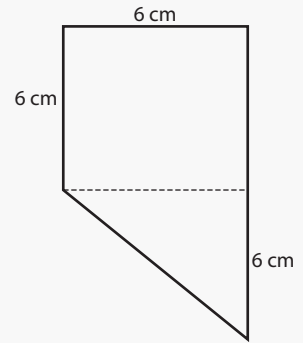
Find the area of the following compound shapes (not drawn to scale).
The dashed lines are perpendicular.



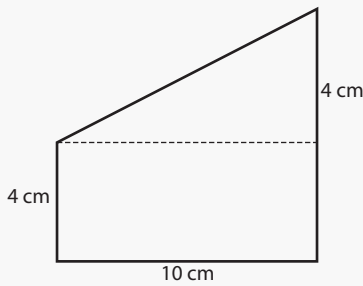
Area: _____



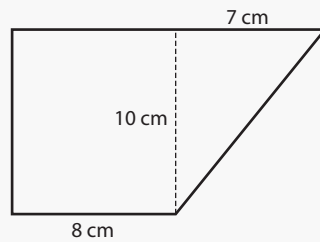
Area: _____



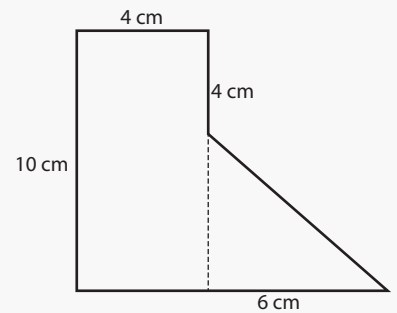
Area: _____



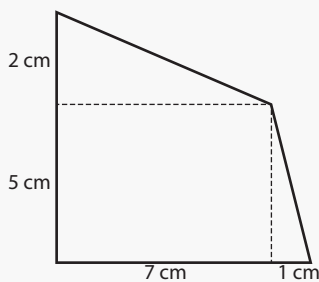
Area: _____



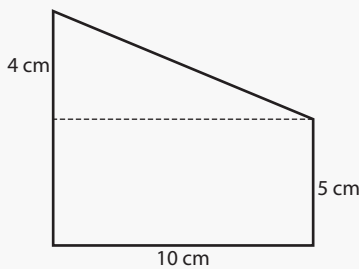
Area: _____



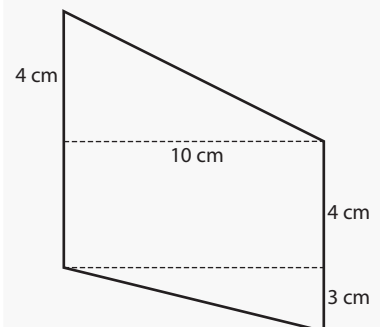
Area: _____



Area: _____



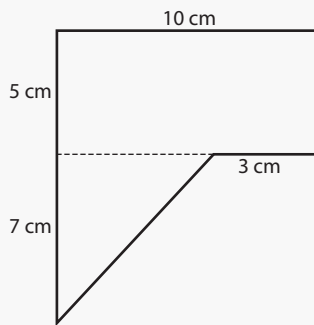
Area: _____



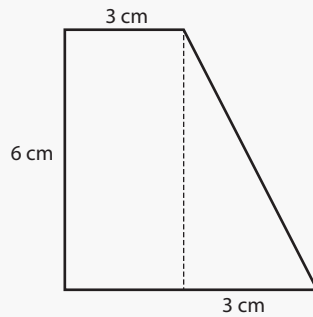
Area: _____

Answers

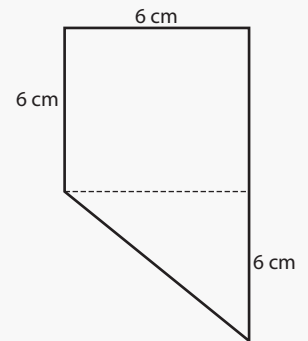
Find the area of the following compound shapes (not drawn to scale).
The dashed lines are perpendicular.



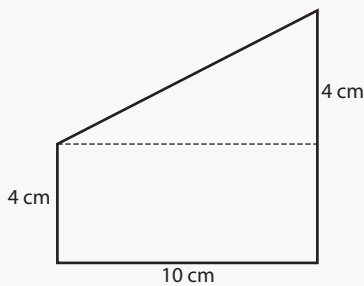
Area: 74.5 cm²



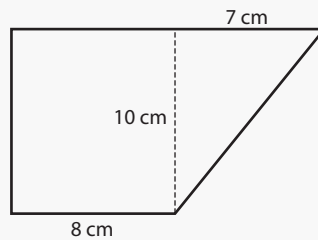
Area: 27 cm²



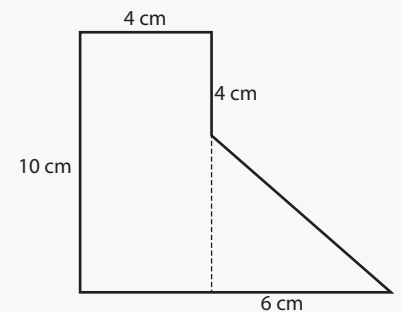
Area: 54 cm²



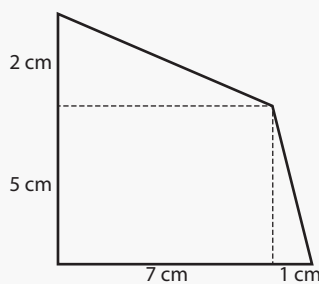
Area: 60 cm²



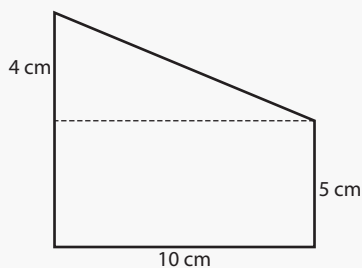
Area: 115 cm²



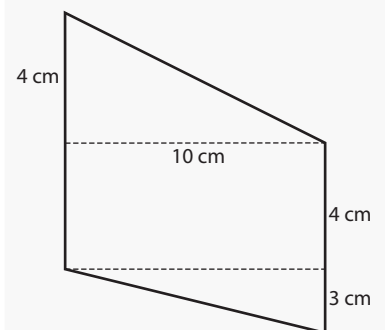
Area: 58 cm²



Area: 44.5 cm²



Area: 70 cm²



Area: 75 cm²