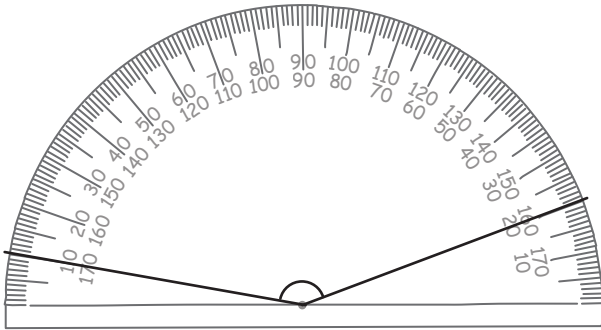
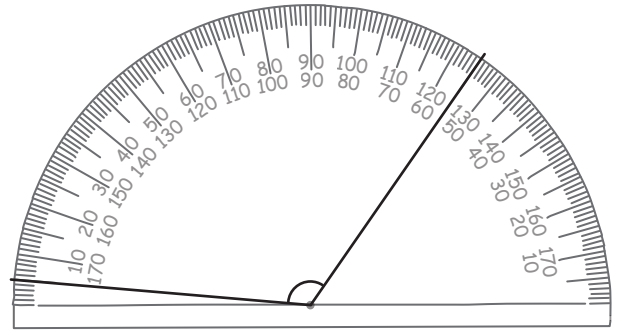


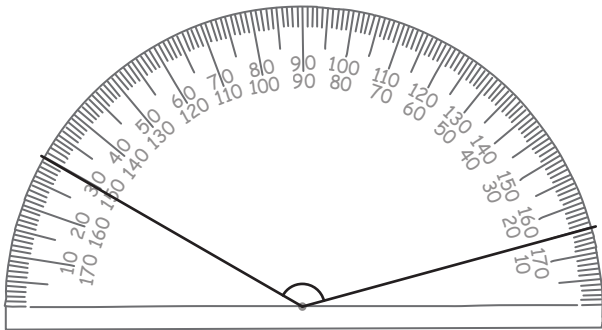
Measure the Obtuse Angle

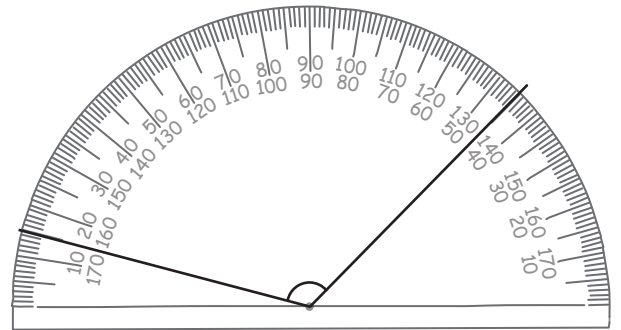
Name: _____ Class: _____

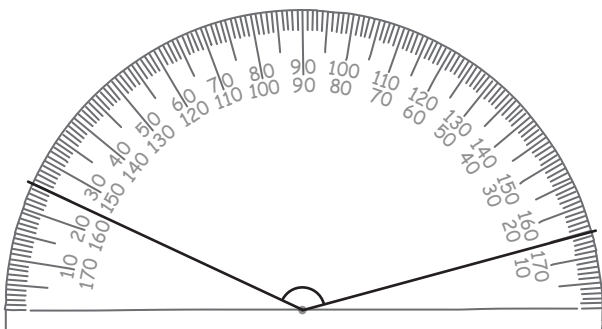
Measure the size of each obtuse angle.

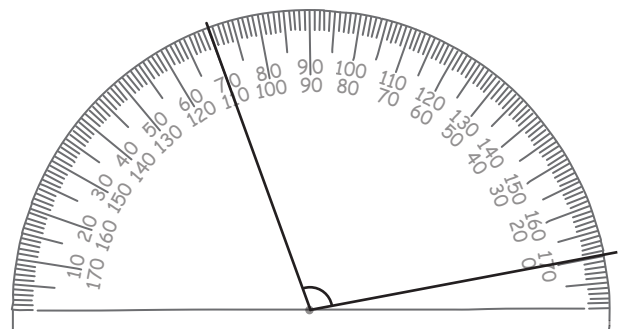






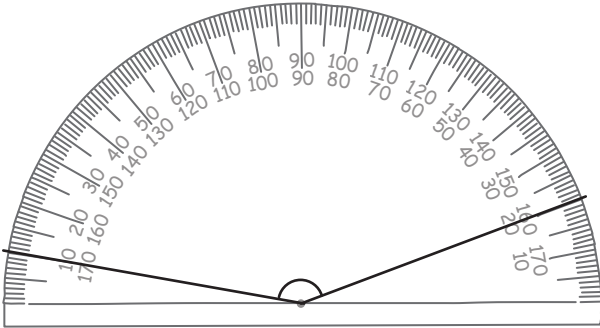




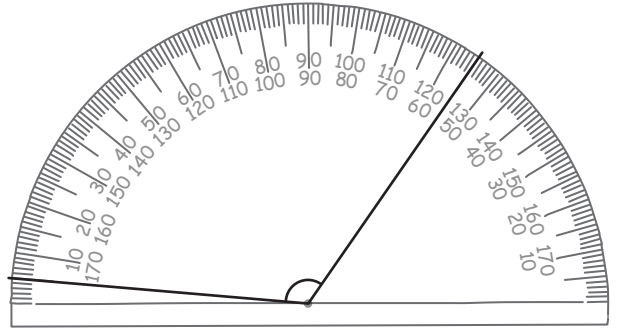


Answers

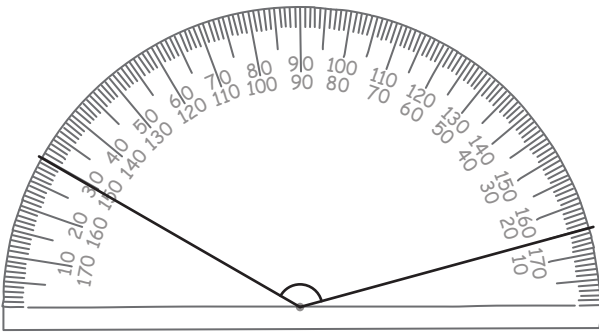
Measure the size of each obtuse angle.



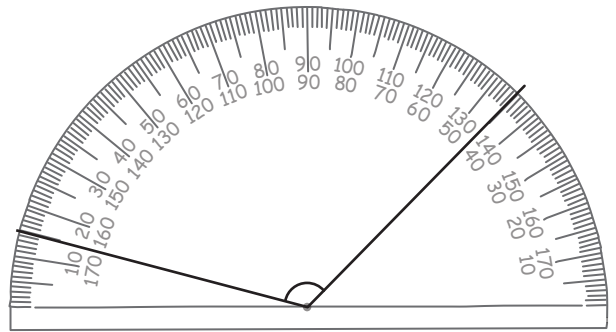
$\angle 150^\circ$



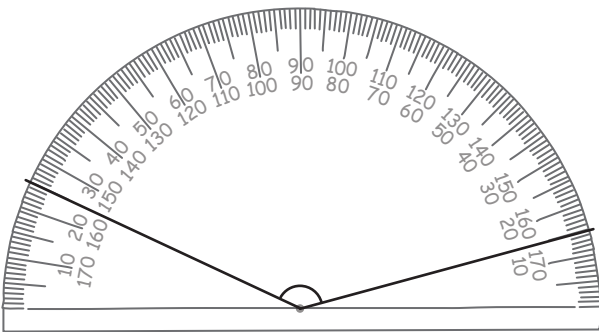
$\angle 120^\circ$



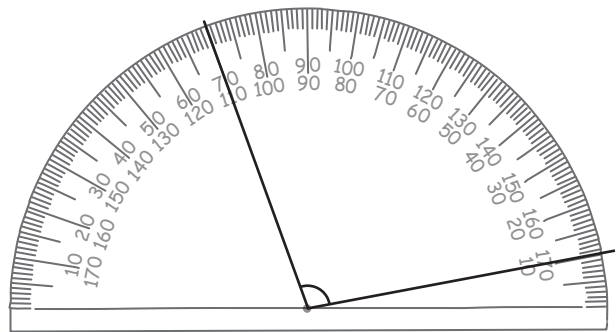
$\angle 135^\circ$



$\angle 120^\circ$



$\angle 140^\circ$



$\angle 100^\circ$