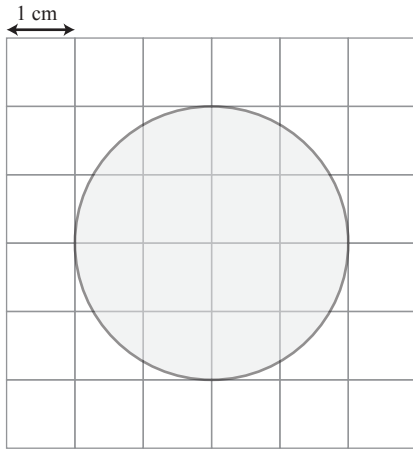


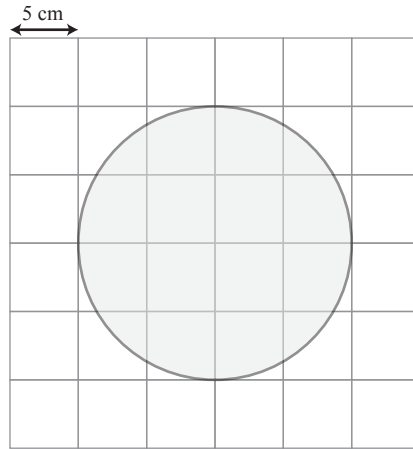
Area of a Circle

Name: _____ Class: _____

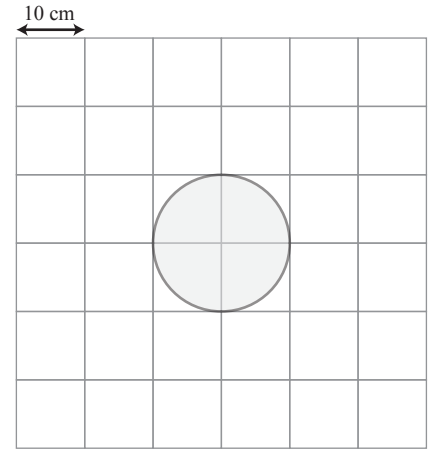
Calculate the area of the following circles. Take $\pi = 22/7$ and give a mixed number as answer. The grids are made up of square blocks.



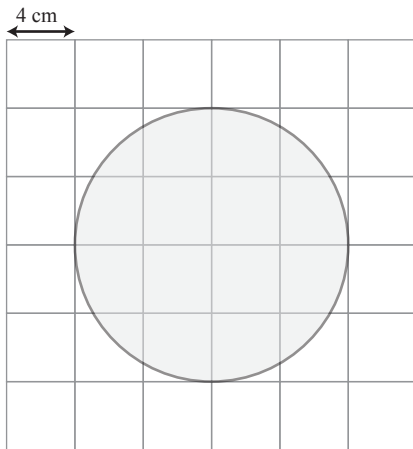
Area: _____



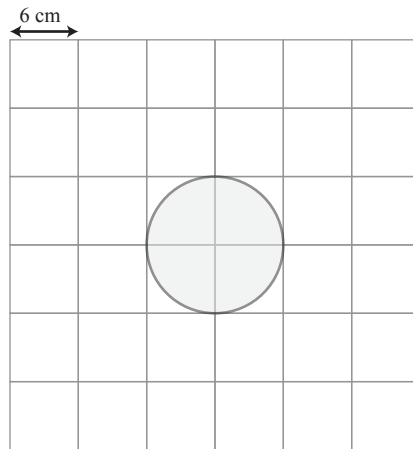
Area: _____



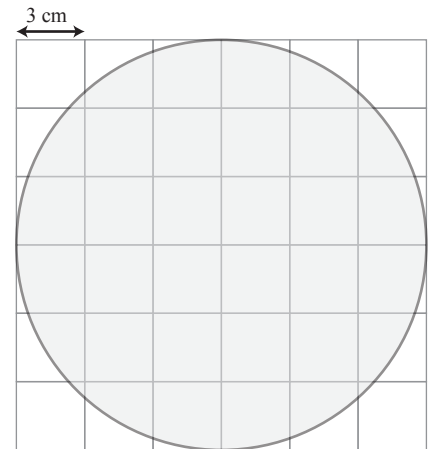
Area: _____



Area: _____



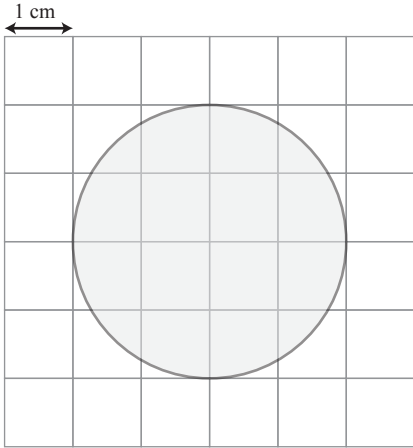
Area: _____



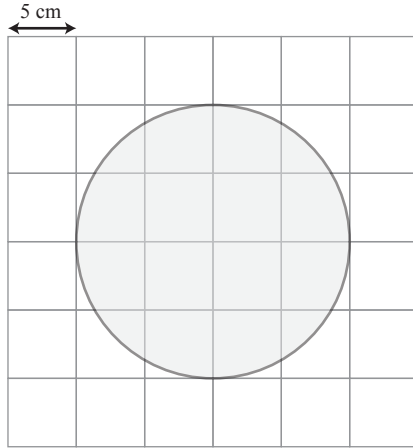
Area: _____

Answers

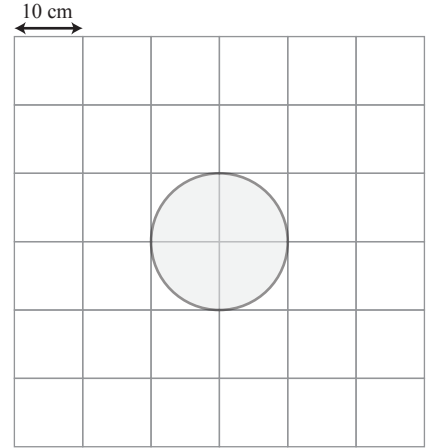
Calculate the area of the following circles. Take $\pi = 22/7$ and give a mixed number as answer. The grids are made up of square blocks.



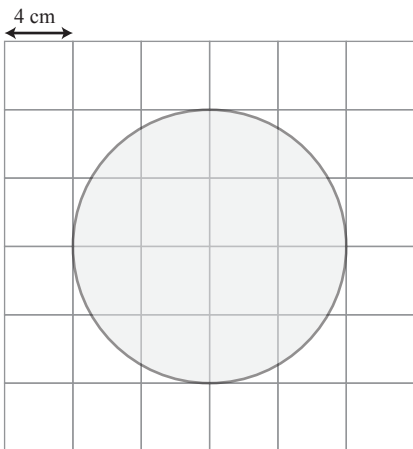
Area: $12 \frac{4}{7} \text{ cm}^2$



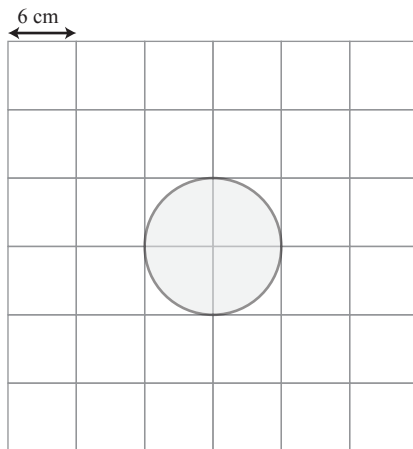
Area: $314 \frac{2}{7} \text{ cm}^2$



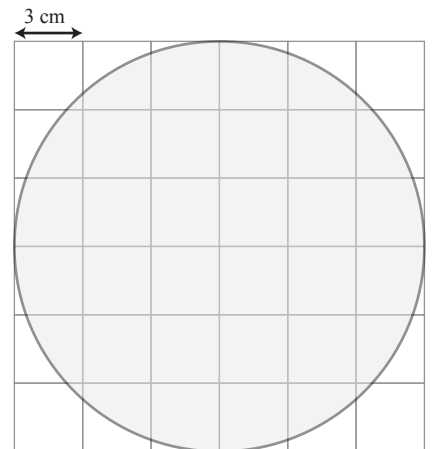
Area: $314 \frac{2}{7} \text{ cm}^2$



Area: $201 \frac{1}{7} \text{ cm}^2$



Area: $113 \frac{1}{7} \text{ cm}^2$



Area: $254 \frac{4}{7} \text{ cm}^2$