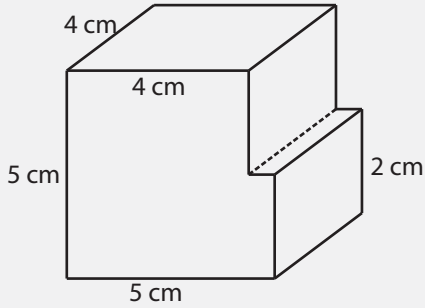


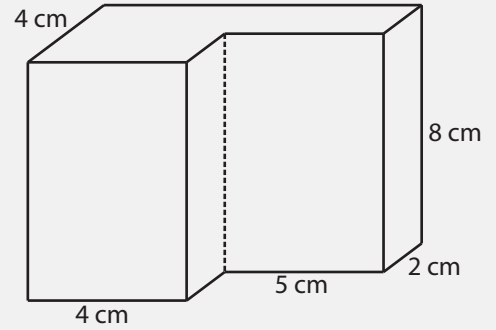
Compound Solids

Name: _____ Class: _____

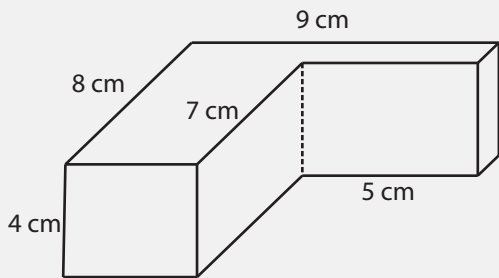
What is the volume of each compound solid?



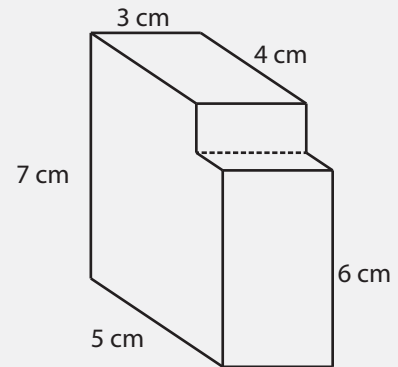
Volume: _____



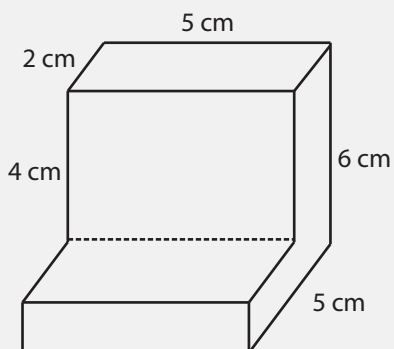
Volume: _____



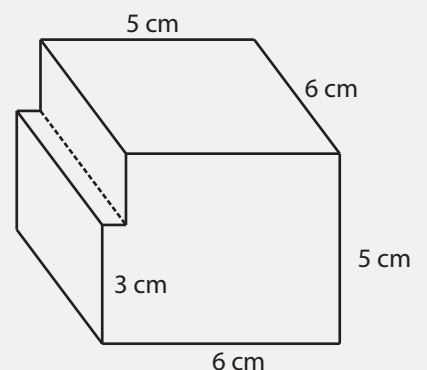
Volume: _____



Volume: _____



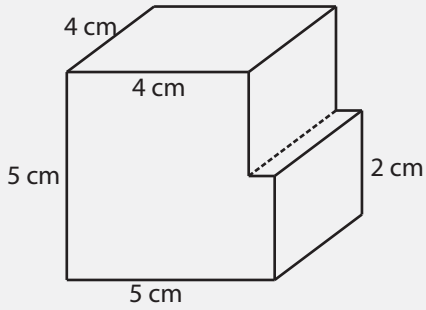
Volume: _____



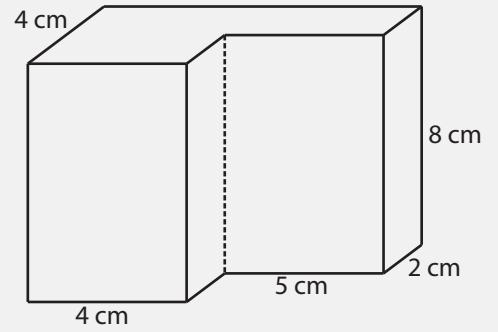
Volume: _____

Answers

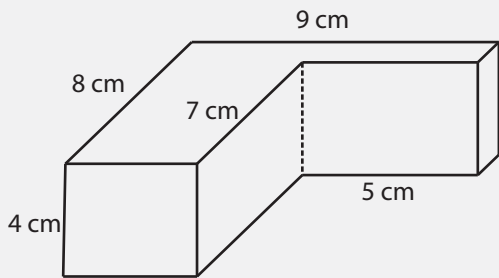
What is the volume of each compound solid?



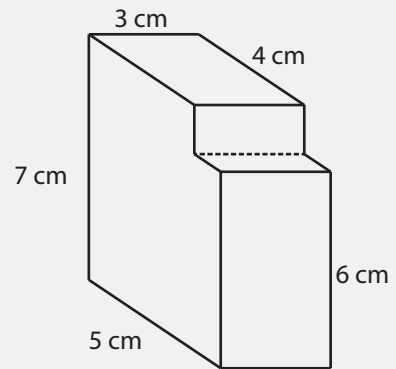
Volume: 88 cm³



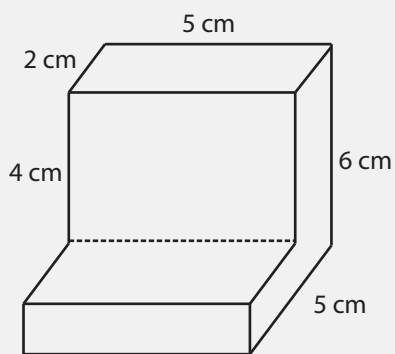
Volume: 208 cm³



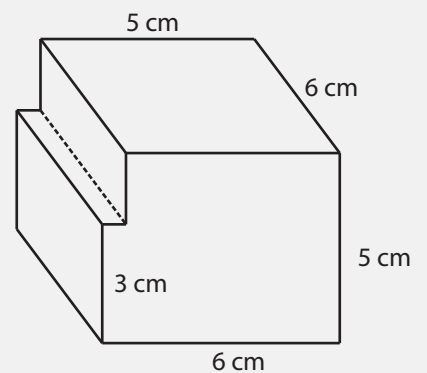
Volume: 148 cm³



Volume: 102 cm³



Volume: 90 cm³



Volume: 168 cm³