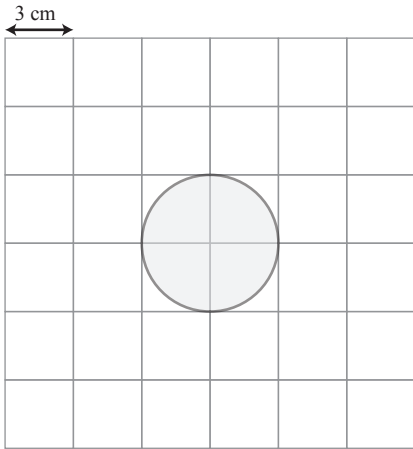


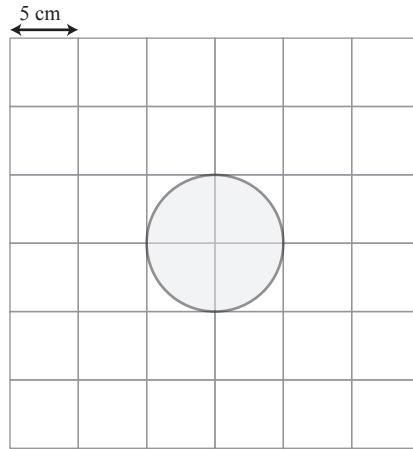
What's the Diameter?

Name: _____ Class: _____

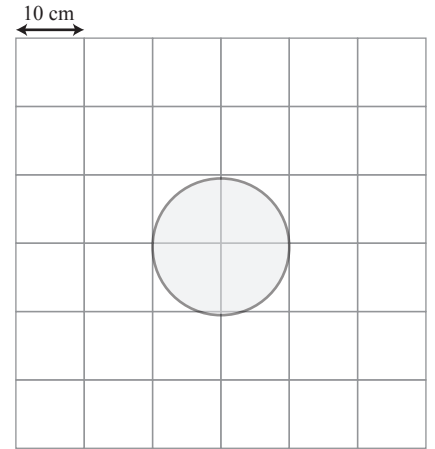
Look at the grids and determine the length of the diameter of each circle.



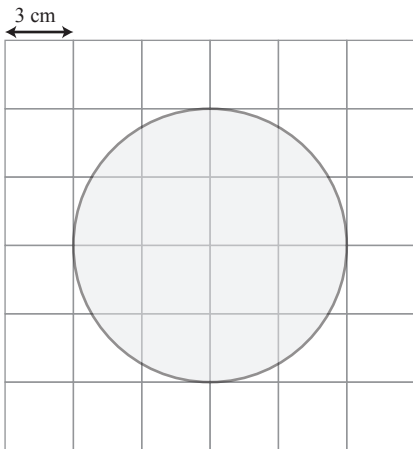
Diameter: _____



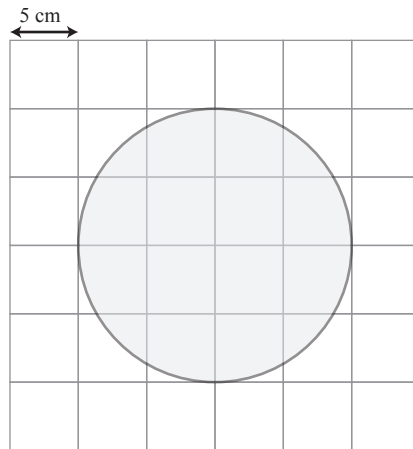
Diameter: _____



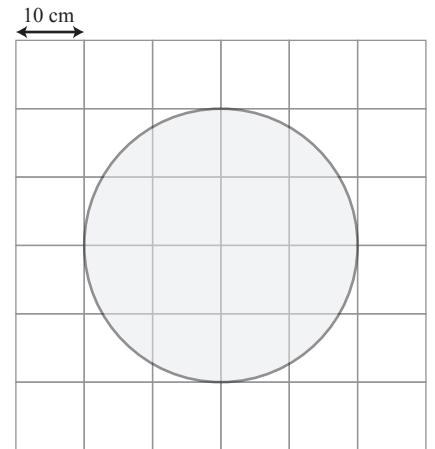
Diameter: _____



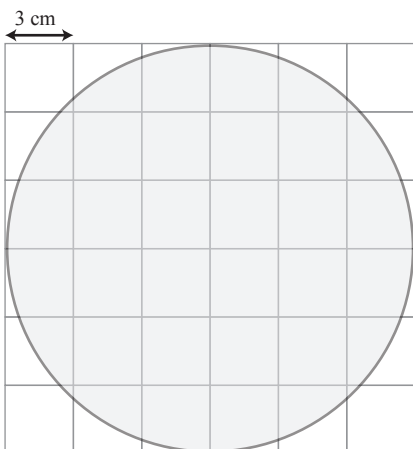
Diameter: _____



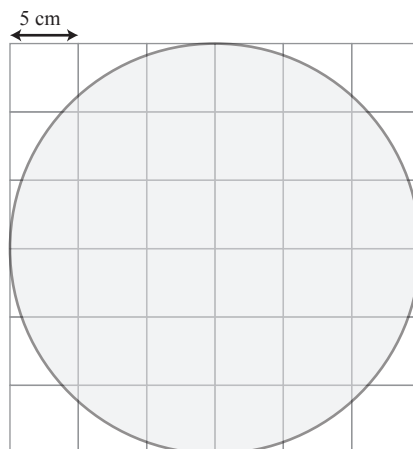
Diameter: _____



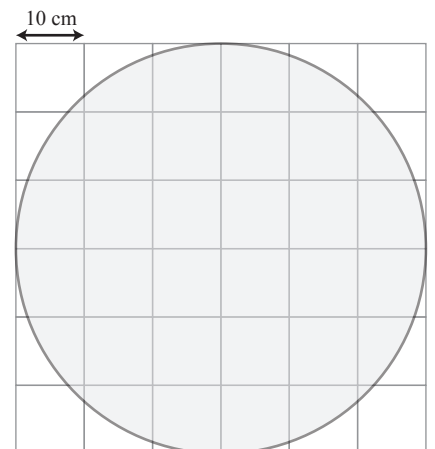
Diameter: _____



Diameter: _____



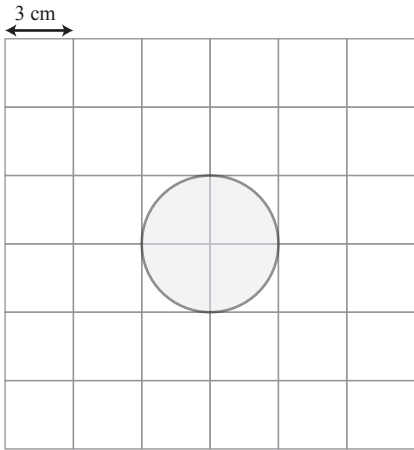
Diameter: _____



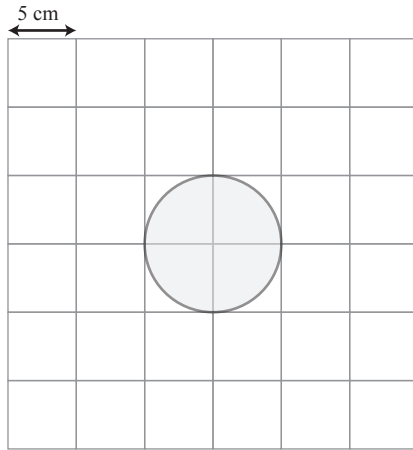
Diameter: _____

Answers

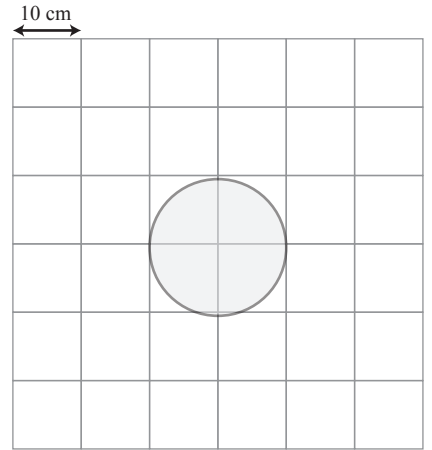
Look at the grids and determine the length of the diameter of each circle.



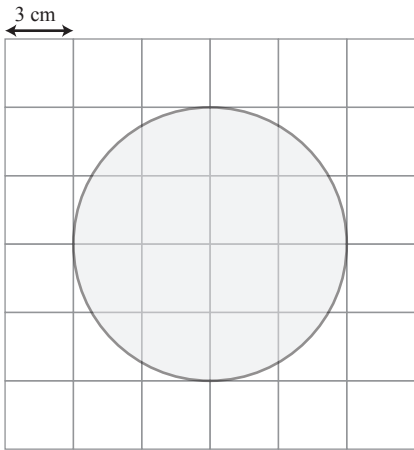
Diameter: 6 cm



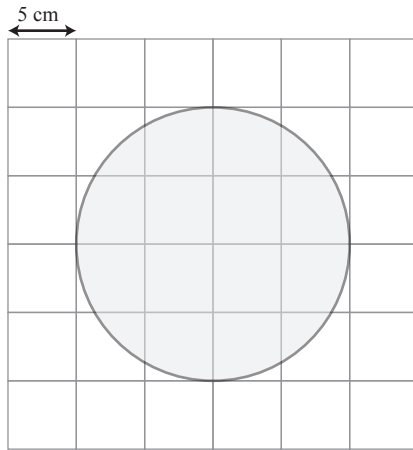
Diameter: 10 cm



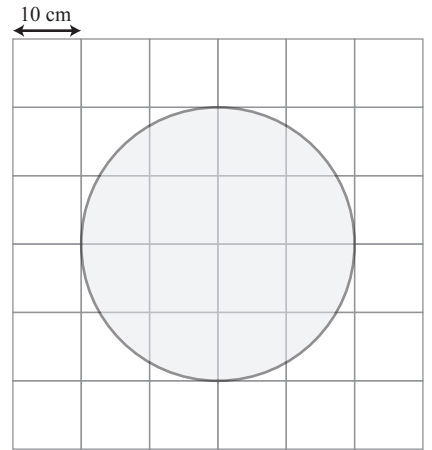
Diameter: 20 cm



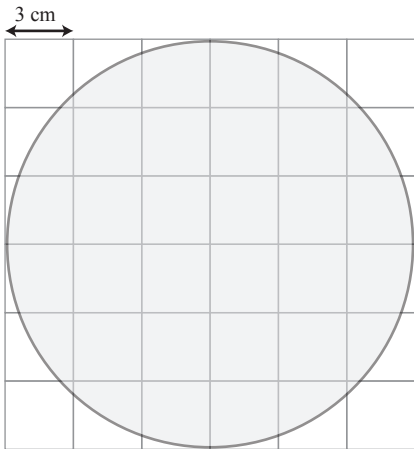
Diameter: 12 cm



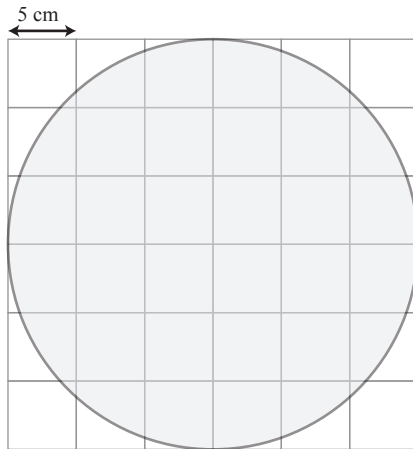
Diameter: 20 cm



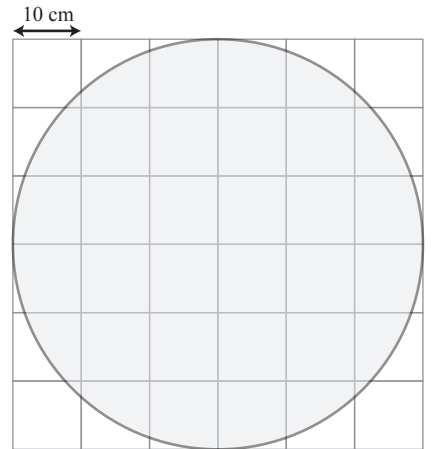
Diameter: 40 cm



Diameter: 18 cm



Diameter: 30 cm



Diameter: 60 cm