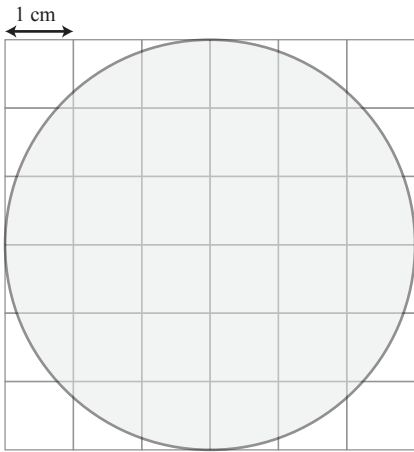


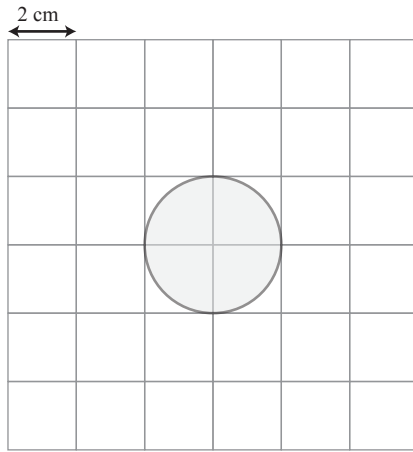
What's the Radius?

Name: _____ Class: _____

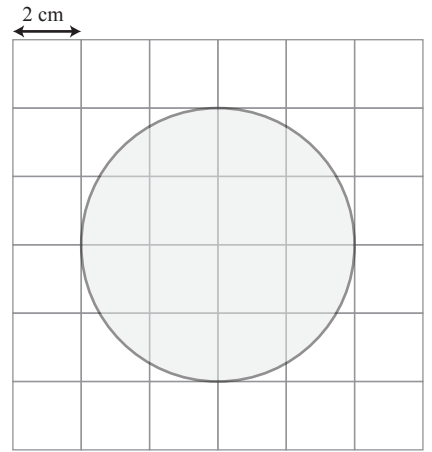
Look at the circles and the grids and determine the length of the radius of each circle.



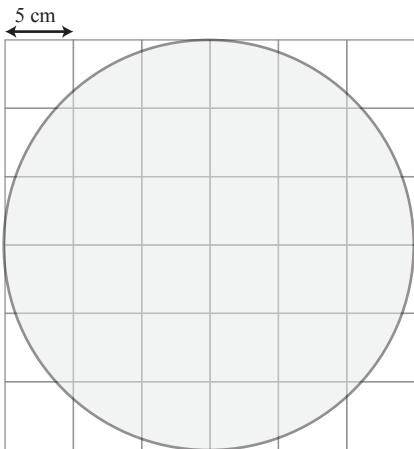
Radius: _____



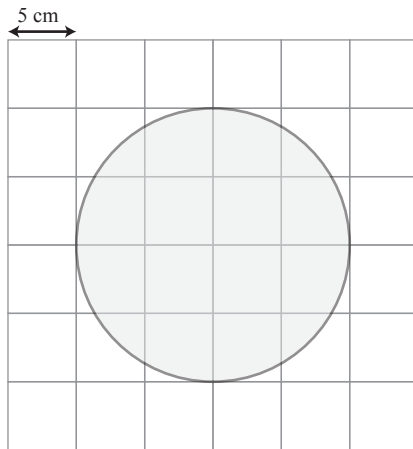
Radius: _____



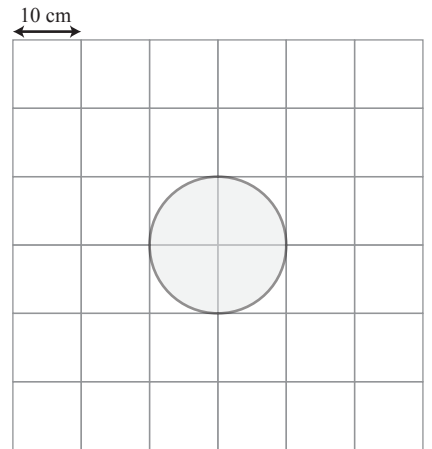
Radius: _____



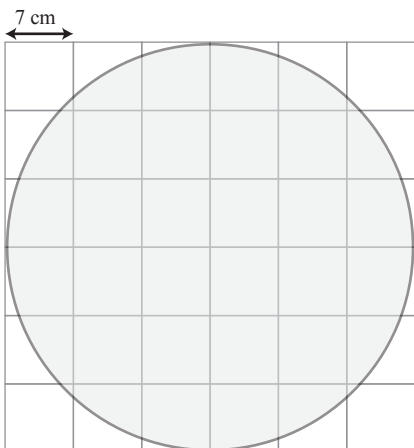
Radius: _____



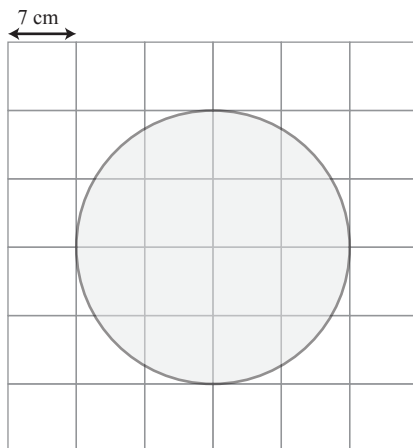
Radius: _____



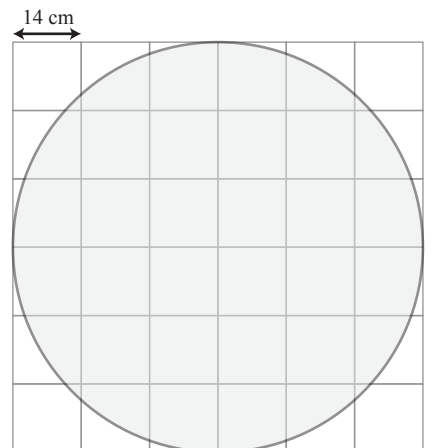
Radius: _____



Radius: _____



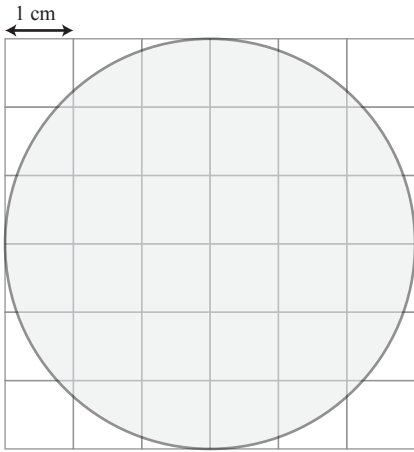
Radius: _____



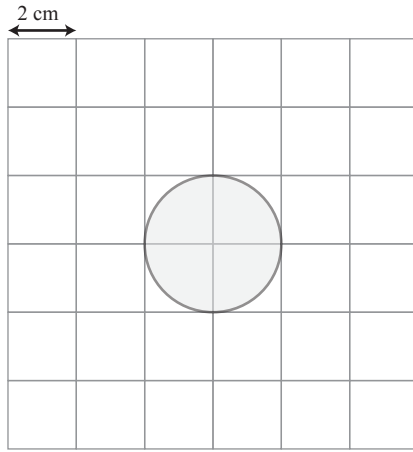
Radius: _____

Answers

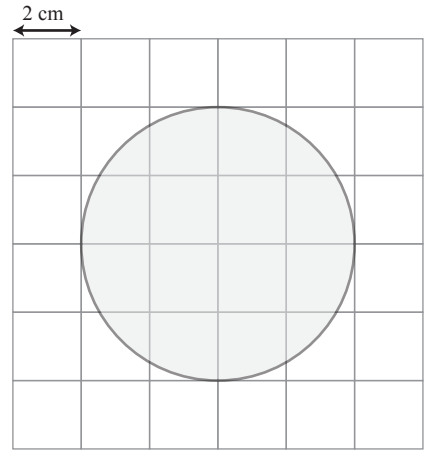
Look at the circles and the grids and determine the length of the radius of each circle.



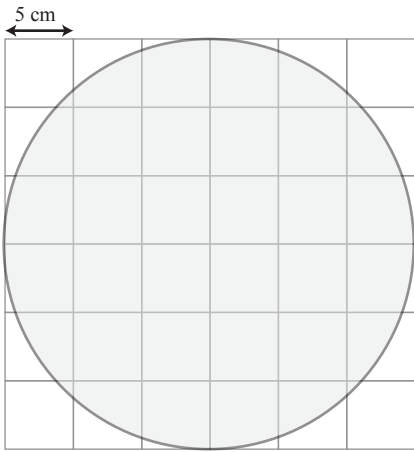
Radius: 3 cm



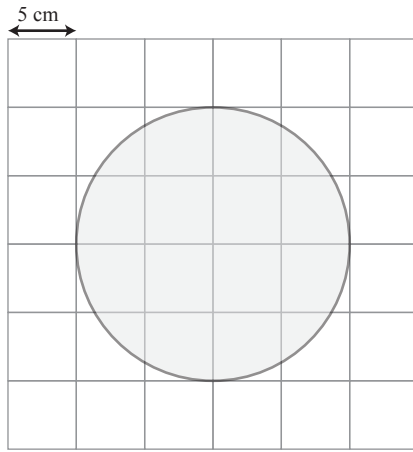
Radius: 2 cm



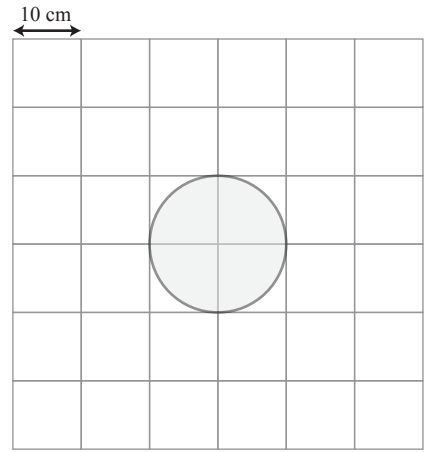
Radius: 4 cm



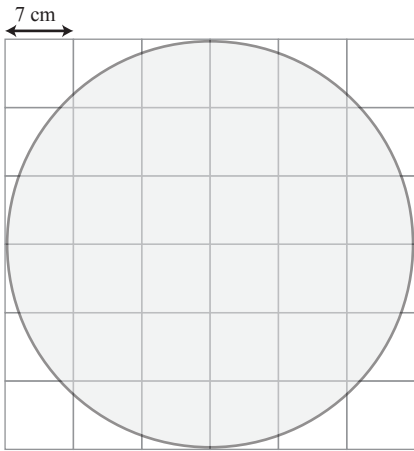
Radius: 15 cm



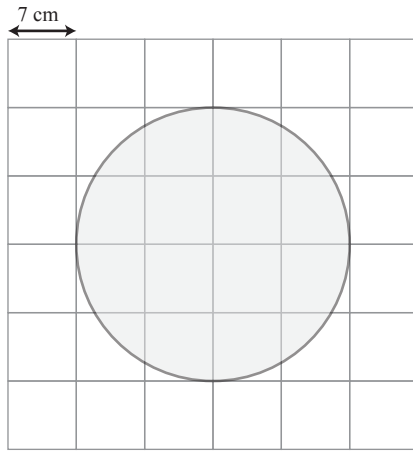
Radius: 10 cm



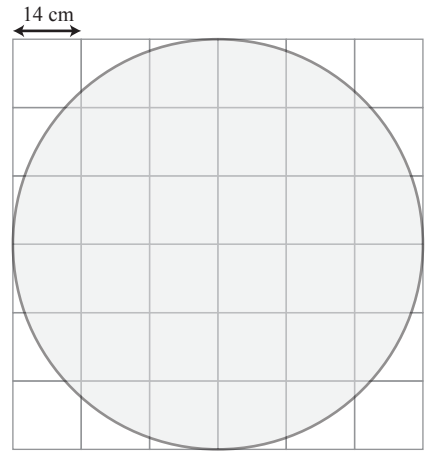
Radius: 10 cm



Radius: 21 cm



Radius: 14 cm



Radius: 42 cm