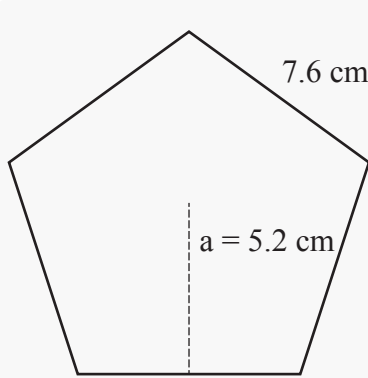


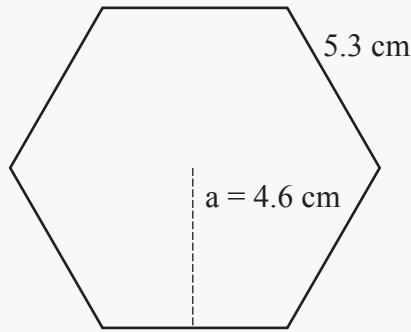
Area of a Regular Polygons

Name: _____ Class: _____

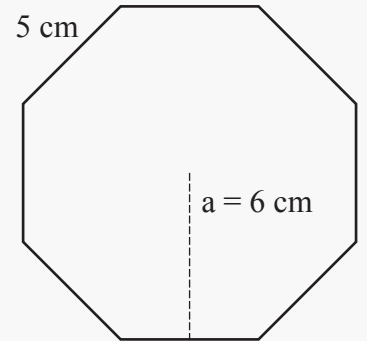
Find the area of the following regular polygons (not to scale). Use the formula:
area = $1/2 \times$ (apothem \times perimeter). The apothem was rounded off.



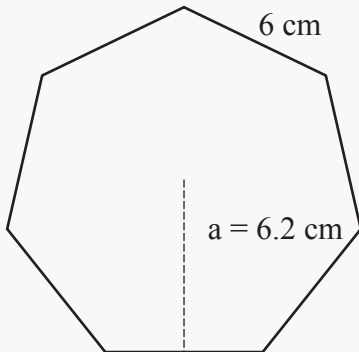
Area: _____



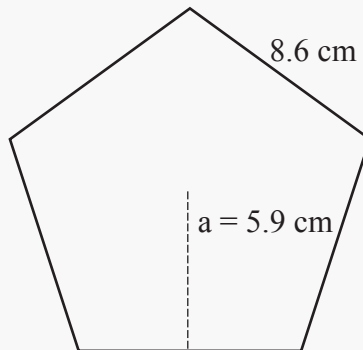
Area: _____



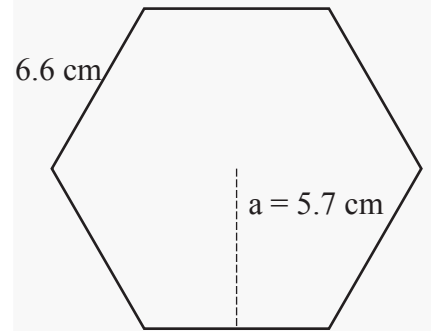
Area: _____



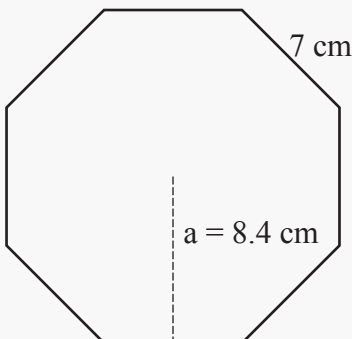
Area: _____



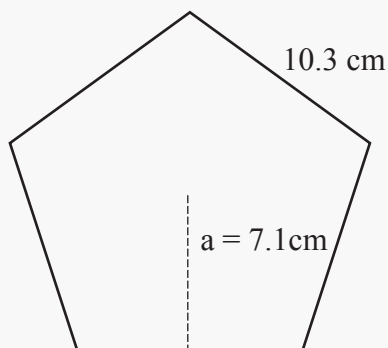
Area: _____



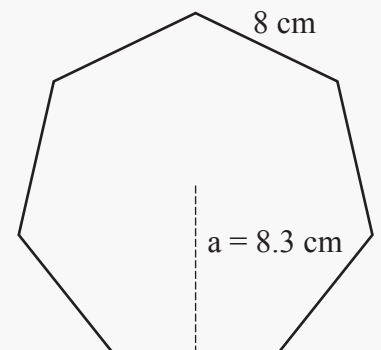
Area: _____



Area: _____



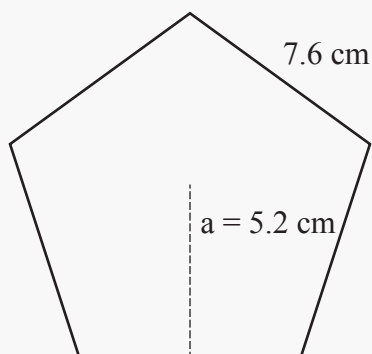
Area: _____



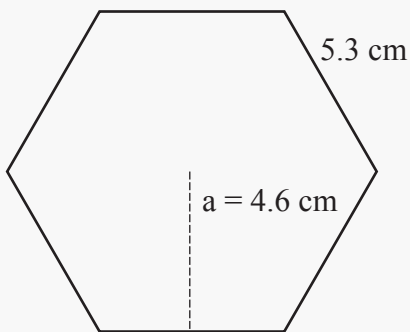
Area: _____

Answers

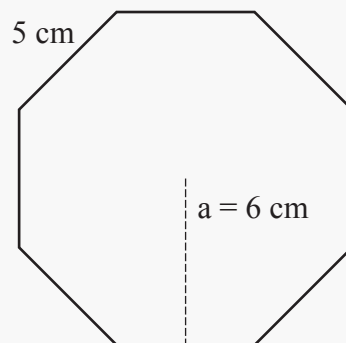
Find the area of the following regular polygons (not to scale). Use the formula:
area = $1/2 \times$ (apothem \times perimeter). The apothem was rounded off.



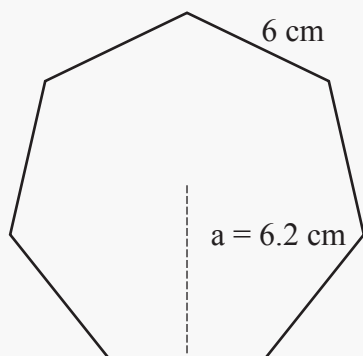
Area: 98.8 cm²



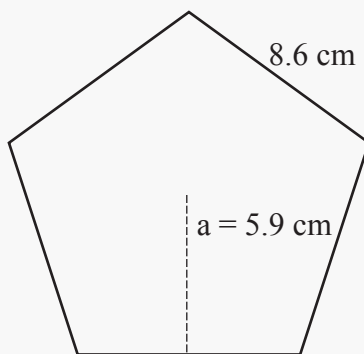
Area: 73.14 cm²



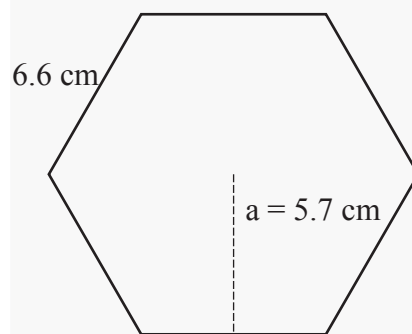
Area: 120 cm²



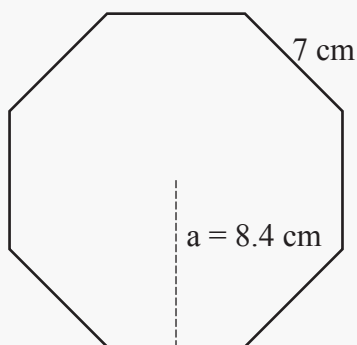
Area: 130.2 cm²



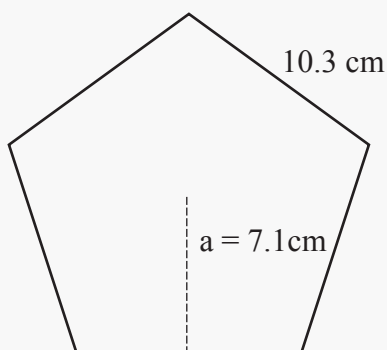
Area: 126.85 cm²



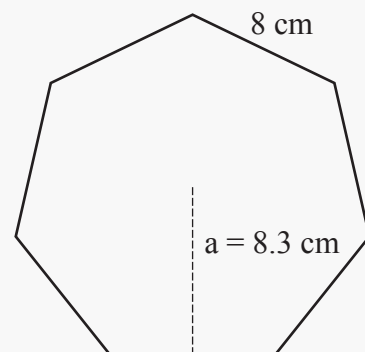
Area: 112.86 cm²



Area: 235.2 cm²



Area: 182.83 cm²



Area: 232.4 cm²