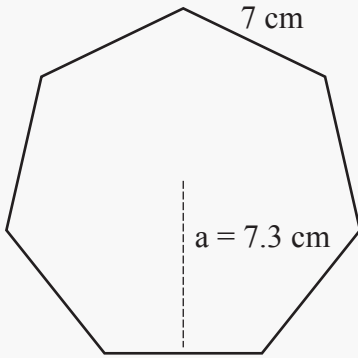


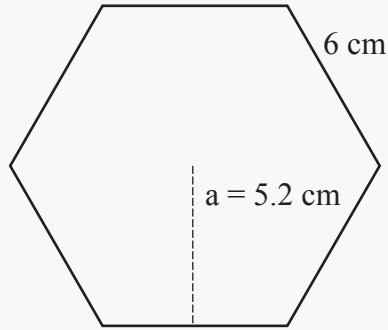
Area of a Regular Polygons

Name: _____ Class: _____

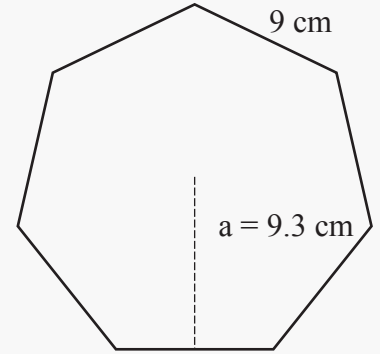
Find the area of the following regular polygons (not to scale). Use the formula:
area = $\frac{1}{2}$ x (apothem x perimeter). The apothem was rounded off.



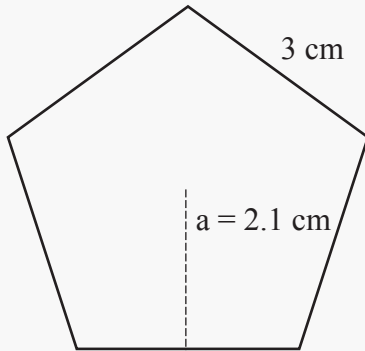
Area: _____



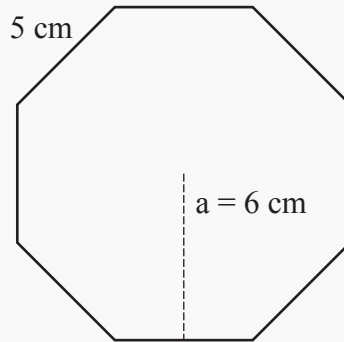
Area: _____



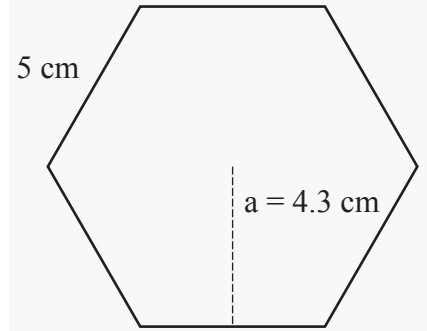
Area: _____



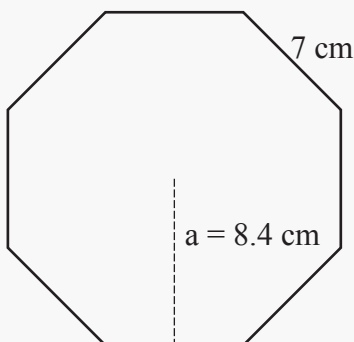
Area: _____



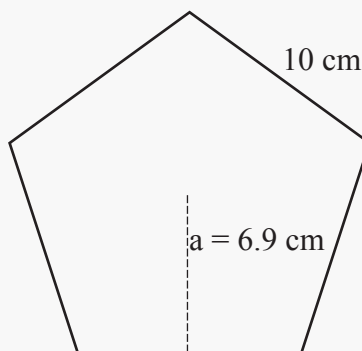
Area: _____



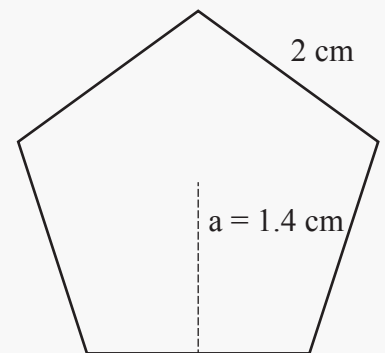
Area: _____



Area: _____



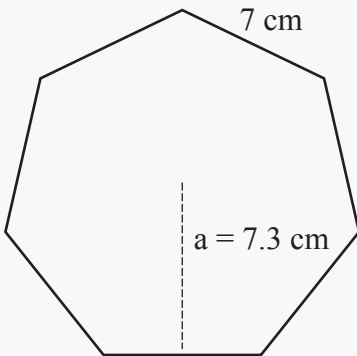
Area: _____



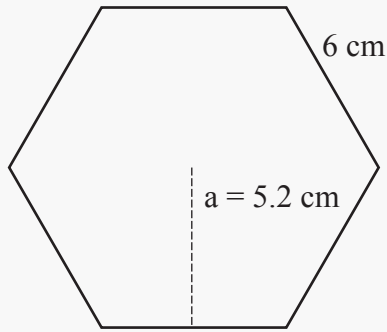
Area: _____

Answers

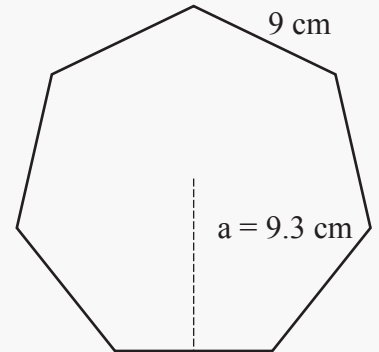
Find the area of the following regular polygons (not to scale). Use the formula:
area = $1/2 \times$ (apothem \times perimeter). The apothem was rounded off.



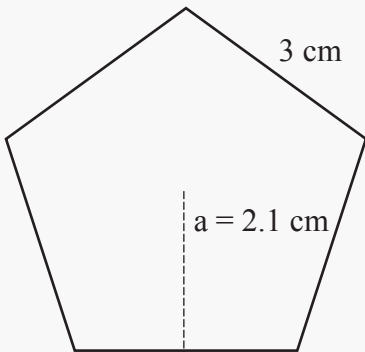
Area: 178.85 cm²



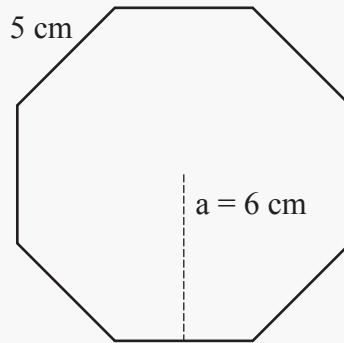
Area: 93.6 cm²



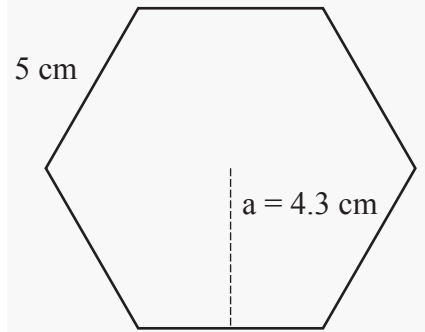
Area: 292.95 cm²



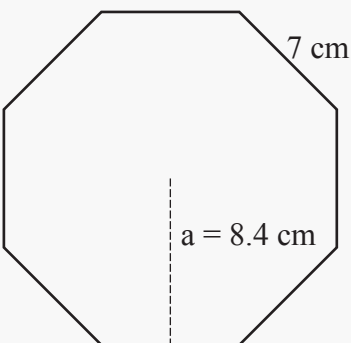
Area: 15.75 cm²



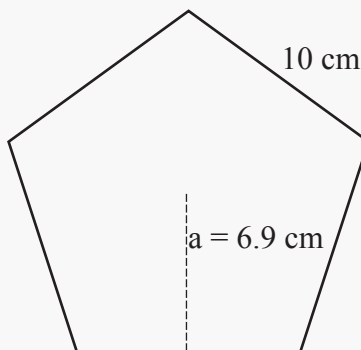
Area: 120 cm²



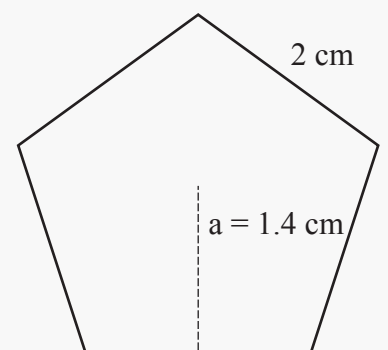
Area: 64.5 cm²



Area: 235.2 cm²



Area: 172.5 cm²



Area: 7 cm²