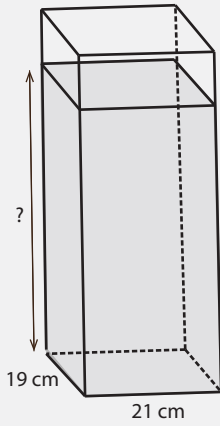


Water Depth

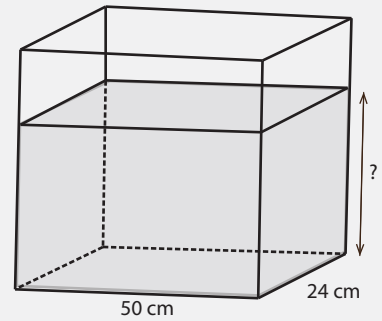
Name: _____ Class: _____

What is the water depth in each tank given the volume?



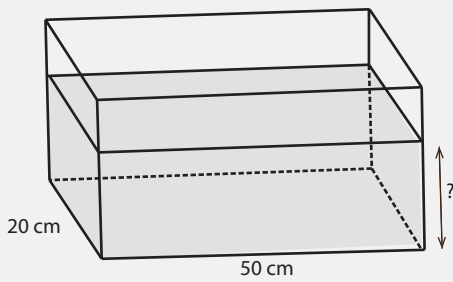
Volume: 31.92 liters

Water Depth: _____



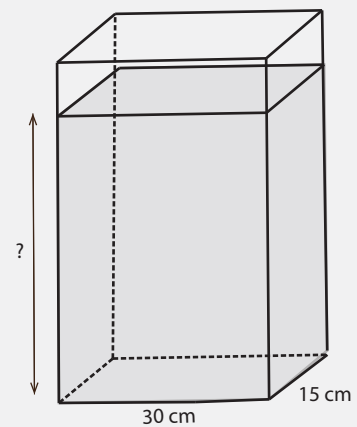
Volume: 48 liters

Water Depth: _____



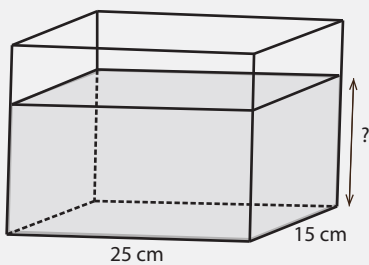
Volume: 10 liters

Water Depth: _____



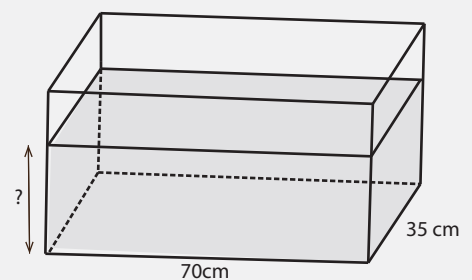
Volume: 36 liters

Water Depth: _____



Volume: 7.5 liters

Water Depth: _____

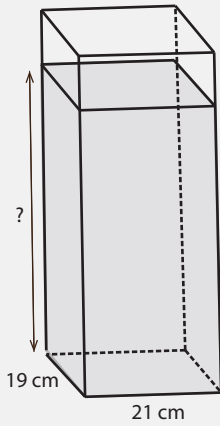


Volume: 49 liters

Water Depth: _____

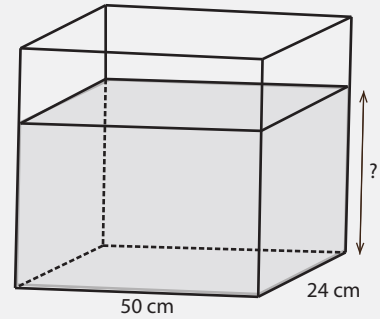
Answers

What is the water depth in each tank given the volume?



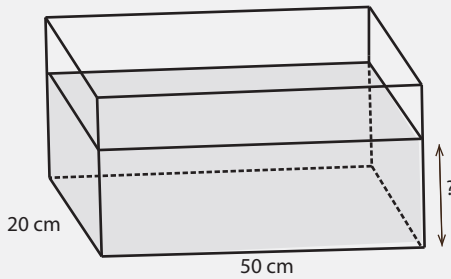
Volume: 31.92 liters

Water Depth: 80 cm



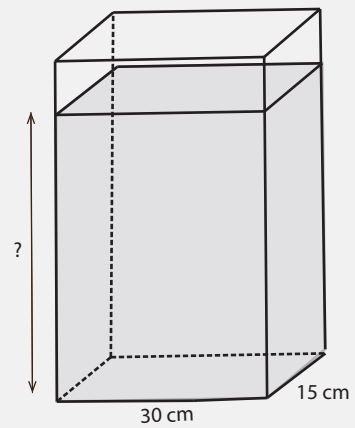
Volume: 48 liters

Water Depth: 40 cm



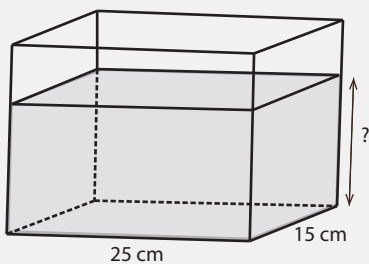
Volume: 10 liters

Water Depth: 10 cm



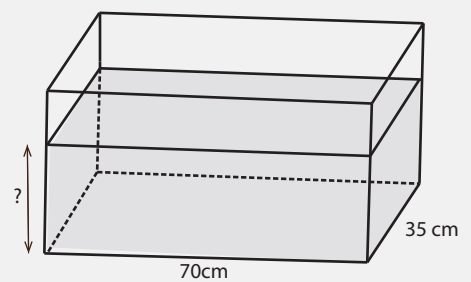
Volume: 36 liters

Water Depth: 80 cm



Volume: 7.5 liters

Water Depth: 20 cm



Volume: 49 liters

Water Depth: 20 cm